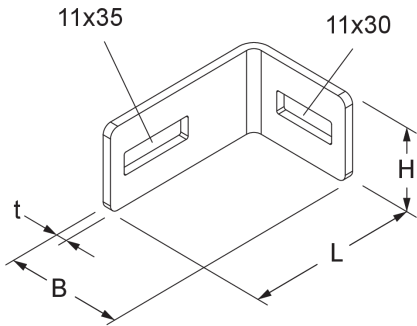


PRODUCT INFORMATION

BL 4

Corner angle, LGG 60/STU-BS 50. maintenance of function

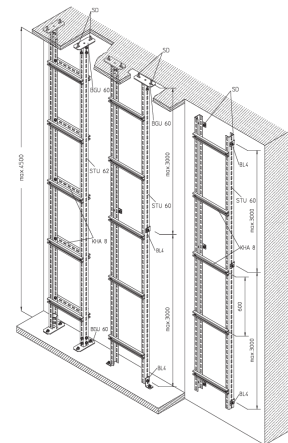
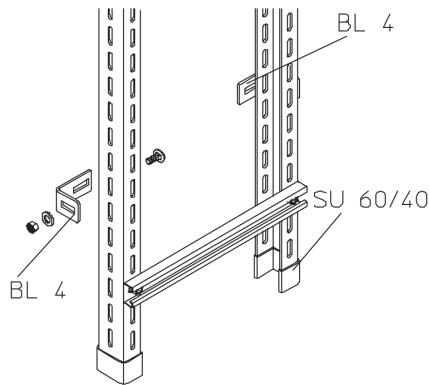
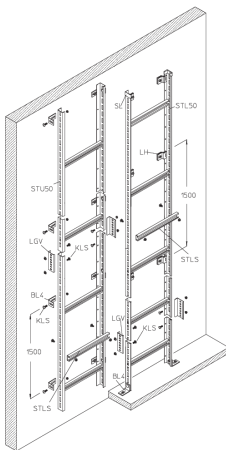


steel, batch/hot-dip galvanized

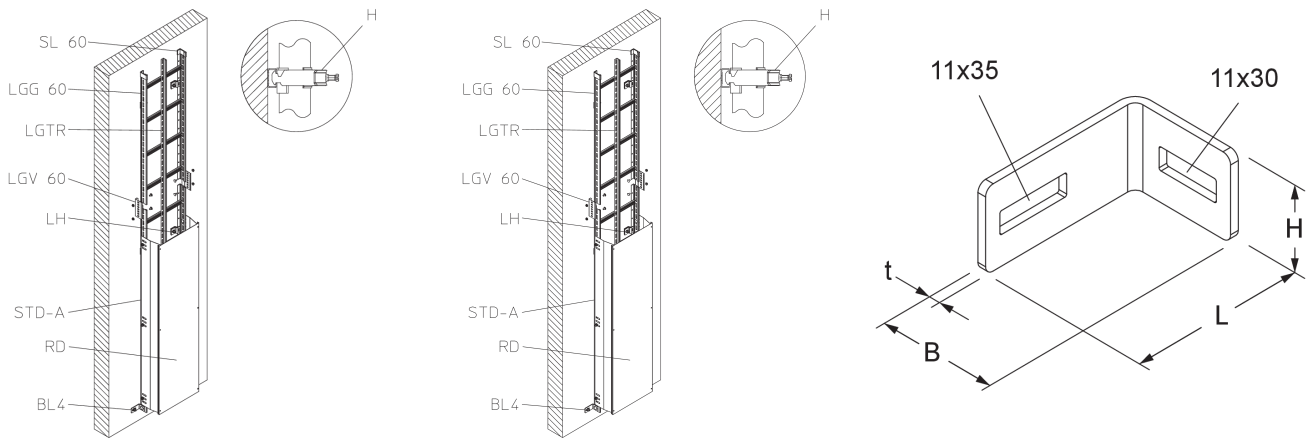
Products	H	B	L	t	weight
BL 4F	40 mm	54 mm	83 mm	4,00 mm	0,149 kg

H: height
B: width
L: length
t: material thickness

DETAIL AND APPLICATION IMAGES



PRODUCT INFORMATION



OPTIONAL ACCESSORIES

KLS, SD

