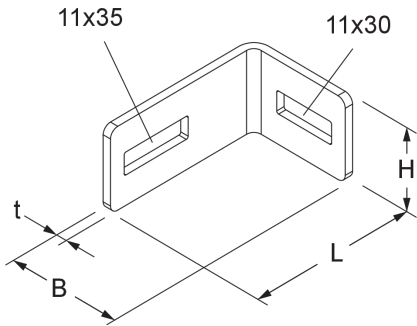


BL 4 Corner angle



The corner angle BL 4 is used to fasten KHU 40/57/60 bracket holders to the wall. The BL 4 angle can also be used to attach LGG 60, STU 50, 60 and 62 vertical ladders to the floor, ceiling or wall. The angle is bolted to the bracket holder or vertical ladder beam and dowelled to the wall. We provide components in various materials and surface finishes to ensure that the corrosion requirements are met for all sorts of applications.

steel, galvanic zinc plated

Products	H	B	L	t	weight
BL 4GV	40 mm	54 mm	83 mm	4,00 mm	0,139 kg

steel, batch/hot-dip galvanized

Products	H	B	L	t	weight
BL 4F	40 mm	54 mm	83 mm	4,00 mm	0,149 kg

Stainless steel, according to ASTM 304 / BS 304 S 3

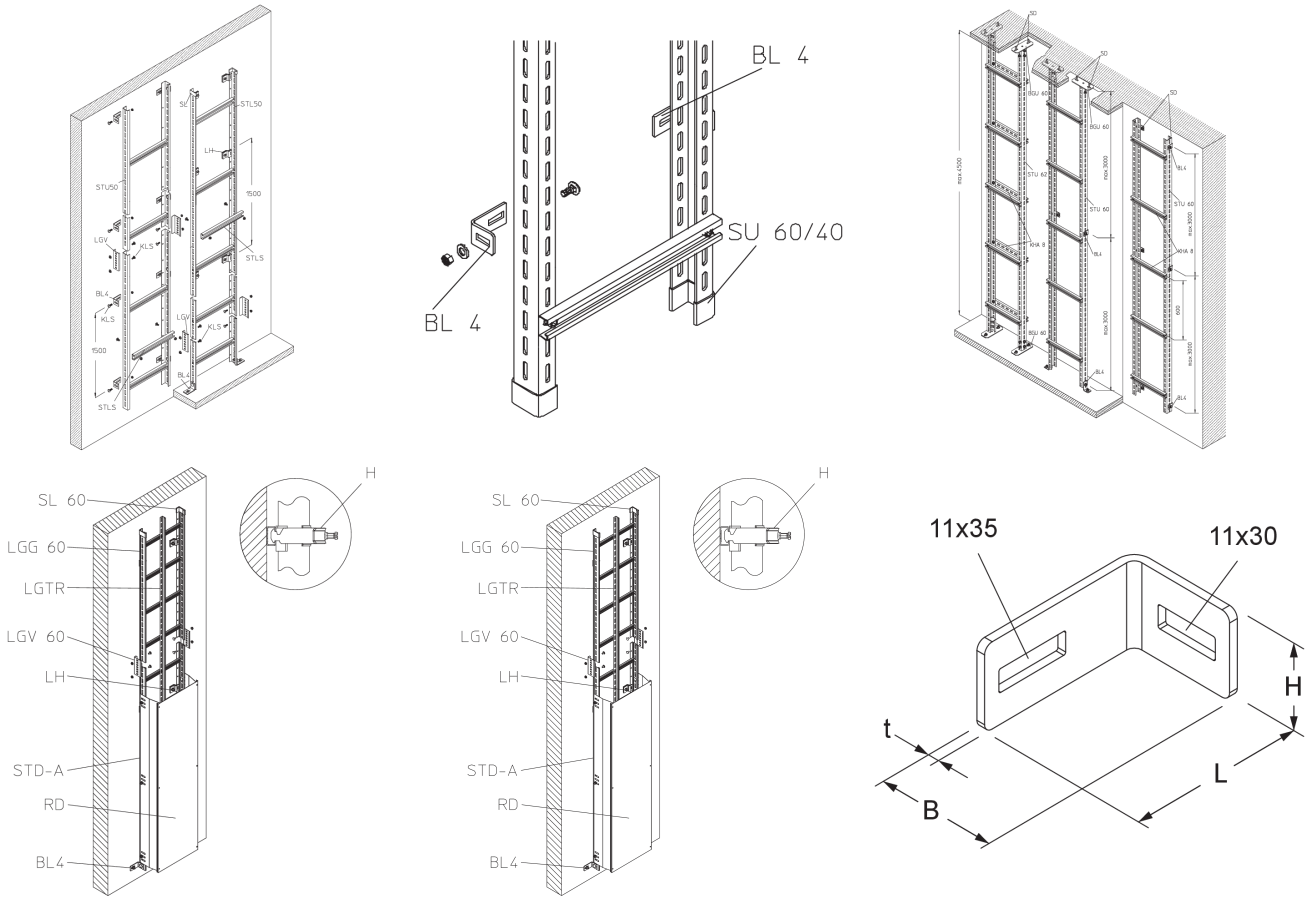
Products	H	B	L	t	weight
BL 4E	40 mm	54 mm	83 mm	4,00 mm	0,140 kg

H: height
B: width
L: length
t: material thickness



PRODUCT INFORMATION

DETAIL AND APPLICATION IMAGES



OPTIONAL ACCESSORIES

SD, KLS

