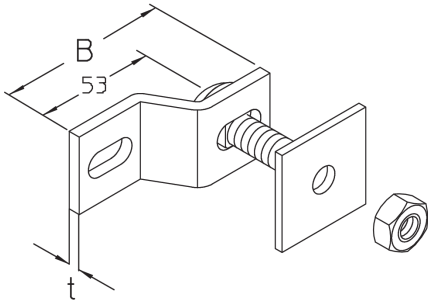


PRODUCT INFORMATION

BL 3

Corner angle

The corner angle BL 3 is used to fasten KHI bracket holders to the wall. The bracket is bolted to the bracket holder and dowelled to the concrete wall. The angle bracket is made of hot-dip galvanised steel.

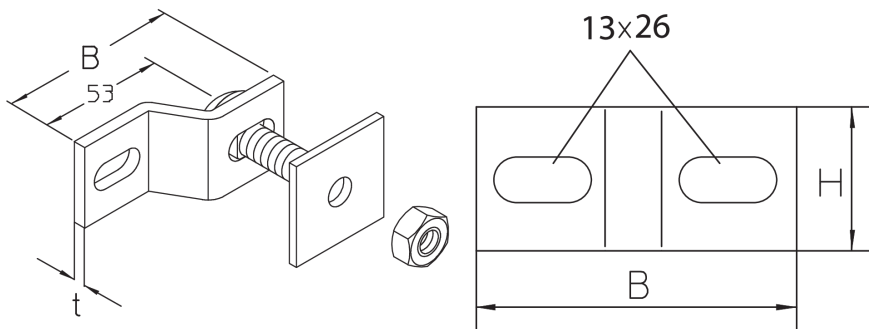


steel, batch/hot-dip galvanized

Products	B	L	t	W
BL 3F	40 mm	90 mm	6,00 mm	0,302 kg
incl.:				
1 x FRS 12X30F, 1 x SEM 12F, 1 x RUS 50-L13F				

B: width
L: length
t: material thickness
W: Weight per storage unit

DETAIL AND APPLICATION IMAGES



Page 1



OPTIONAL ACCESSORIES

SD

