

BKZ Floor duct Z profile

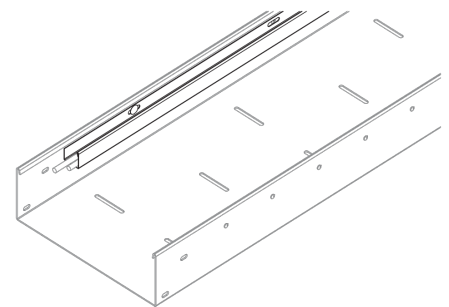
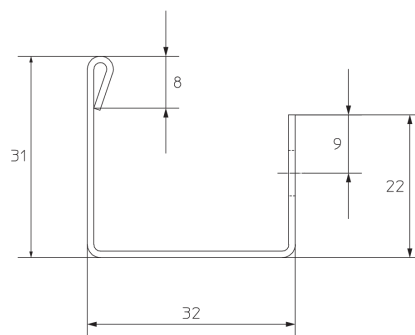
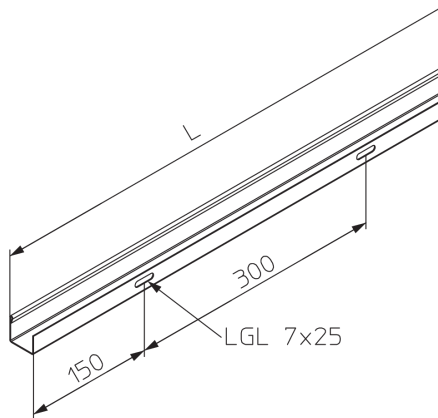
Additional cables that must be routed separately from other cables can be separated within the floor duct system using BKZ Z-profile floor duct. It is mounted on the side wall of the floor duct. It is 32 mm wide, 3000 mm long and is made of sendzimir hot-dip galvanized steel.

steel, continuously hot galvanized/Sendzimir process

Products	L	W
BKZ S	3000 mm	2,149 kg
incl.:		
3 × SEMS 6, 3 × FRSV 6X12		

L: length
W: Weight per storage unit

DETAIL AND APPLICATION IMAGES





PohlCon GmbH
Nobelstraße 51 | 12057 Berlin
Telefon: +49 30 68283-04 | Fax: +49 30 68283-383 | contact@pohlcon.com

