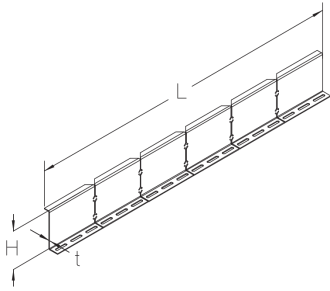


BKRTV 110

Floor duct separating strip, variable, height = 110 mm

The BKRTV 110 variable floor duct separating strip is ideal for formed parts and associated changes of direction. Cables and wires with different functions or voltages can be routed separately from one another by using the separating strip. In addition, the separating strips ensure that the live loads acting on the system are optimally dissipated. The separating strip is bolted to the floor duct. It is 110 mm high and 900 mm long and is made of sendzimir hot-dip galvanised steel.

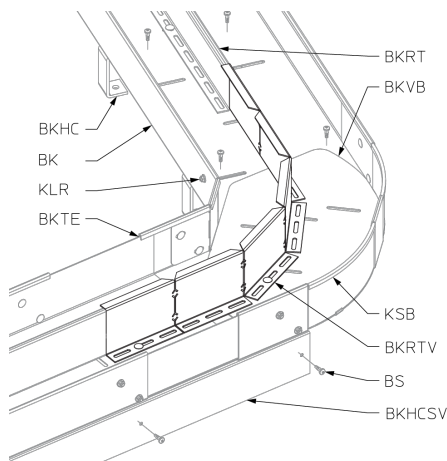
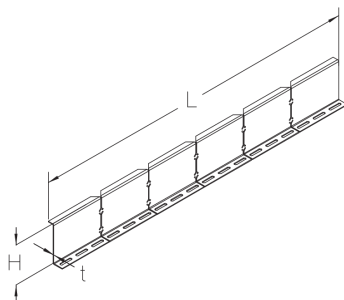


steel, continously hot galvanized/Sendzimir process

Products	H	L	t	weight
BKRTV 110S	110 mm	900 mm	2,00 mm	2,026 kg
incl.:				
3 x FRSV 6X12, 3 x SEMS 6				

H: height
L: length
t: material thickness

DETAIL AND APPLICATION IMAGES





PohlCon GmbH
Nobelstraße 51 | 12057 Berlin
Telefon: +49 30 68283-04 | Fax: +49 30 68283-383 | contact@pohlcon.com

