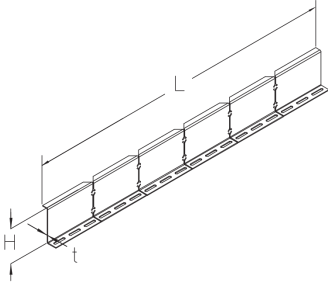


## BKRTV 100

Floor duct separating strip, variable, height = 100 mm

The BKRTV 100 variable floor duct separating strip is ideal for formed parts and associated changes of direction. Cables and wires with different functions or voltages can be routed separately from one another by using the separating strip. In addition, the separating strips ensure that the live loads acting on the system are optimally dissipated. The separating strip is bolted to the floor duct. It is 100 mm high and 900 mm long and is made of sendzimir hot-dip galvanised steel.

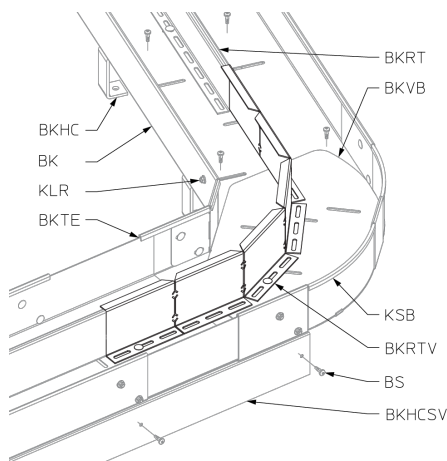
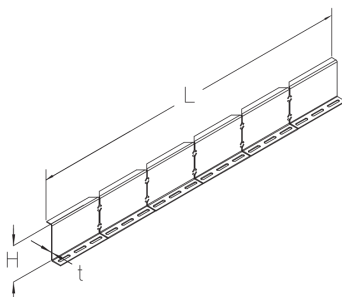


steel, continuously hot galvanized/Sendzimir process

Products	H	L	t	W
BKRTV 100S	100 mm	900 mm	2,00 mm	1,887 kg
incl.:				
3 × FRSV 6X12, 3 × SEMS 6				

**H:** height  
**L:** length  
**t:** material thickness  
**W:** Weight per storage unit

## DETAIL AND APPLICATION IMAGES





PohlCon GmbH  
Nobelstraße 51 | 12057 Berlin  
Telefon: +49 30 68283-04 | Fax: +49 30 68283-383 | [contact@pohlcon.com](mailto:contact@pohlcon.com)

