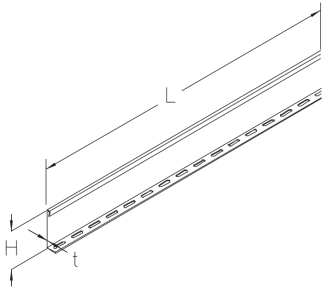


BKRT 110

Floor duct separating strip, height = 110 mm

Cables and lines with different functions or voltages can be routed spatially separated from each other in the same floor duct using floor duct separating strip BKRT 110. In addition, the separating strips ensure that the live loads acting on the system are optimally dissipated. The separating strip is bolted to the floor duct. It is 108 mm high and 3000 mm long and is made of sendzimir hot-dip galvanised steel.

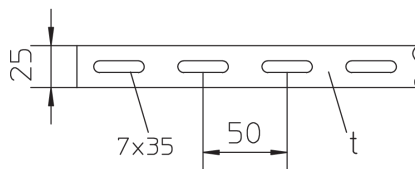
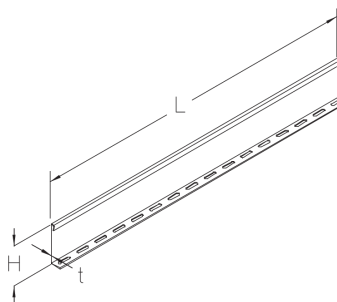


steel, continuously hot galvanized/Sendzimir process

Products	H	L	t	W
BKRT 110S	108 mm	3000 mm	2,00 mm	6,677 kg
incl.:				
3 x SEMS 6, 3 x FRSV 6X12				

H: height
L: length
t: material thickness
W: Weight per storage unit

DETAIL AND APPLICATION IMAGES





PohlCon GmbH
Nobelstraße 51 | 12057 Berlin
Telefon: +49 30 68283-04 | Fax: +49 30 68283-383 | contact@pohlcon.com

