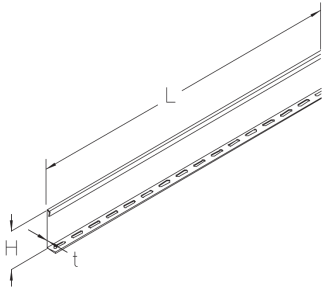


BKRT 100

Floor duct separating strip, height = 100 mm

Cables and lines with different functions or voltages can be routed spatially separated from each other in the same floor duct using floor duct separating strip BKRT 100. In addition, the separating strips ensure that the live loads acting on the system are optimally dissipated. The separating strip is bolted to the floor duct. It is 100 mm high and 3000 mm long and is made of sendzimir hot-dip galvanized steel.

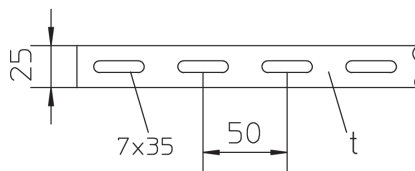
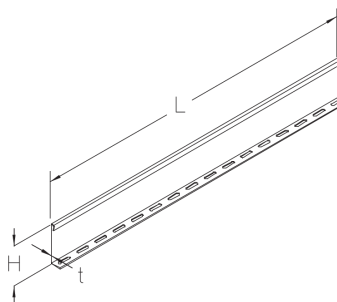


steel, continuously hot galvanized/Sendzimir process

Products	H	L	t	W
BKRT 100S	100 mm	3000 mm	2,00 mm	6,300 kg
incl.:				
3 × FRSV 6X12, 3 × SEMS 6				

H: height
L: length
t: material thickness
W: Weight per storage unit

DETAIL AND APPLICATION IMAGES





PohlCon GmbH
Nobelstraße 51 | 12057 Berlin
Telefon: +49 30 68283-04 | Fax: +49 30 68283-383 | contact@pohlcon.com

