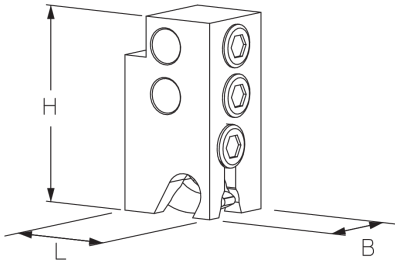


BKPA

Floor duct equipotential bonding terminal block

The BKPA brass floor duct equipotential bonding terminal block can be attached to the previously knocked out slugs on the side walls of floor ducts. In this way, the floor duct system can be incorporated into the equipotential bonding of the entire installation to protect electrical equipment and prevent electric shocks.

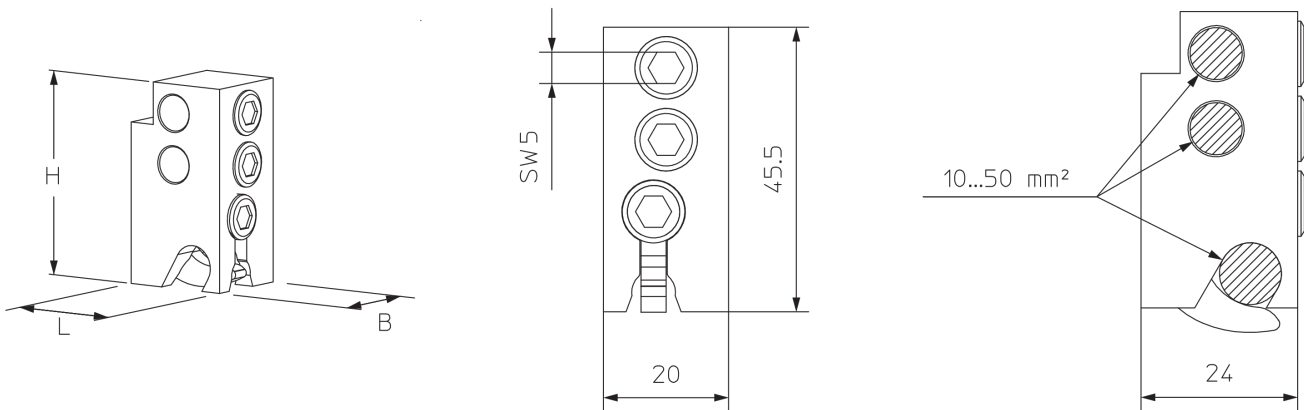


brass

Products	H	B	L	W
BKPA	45 mm	20 mm	24 mm	0,122 kg

H: height
B: width
L: length
W: Weight per storage unit

DETAIL AND APPLICATION IMAGES



PRODUCT INFORMATION

