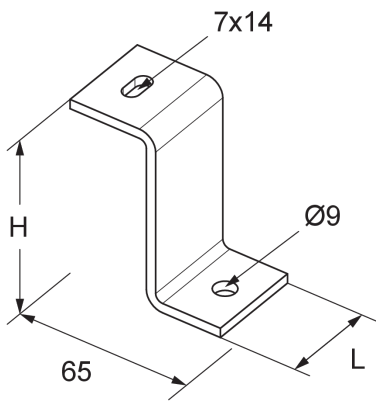


PRODUCT INFORMATION



BKHZ

Floor duct support

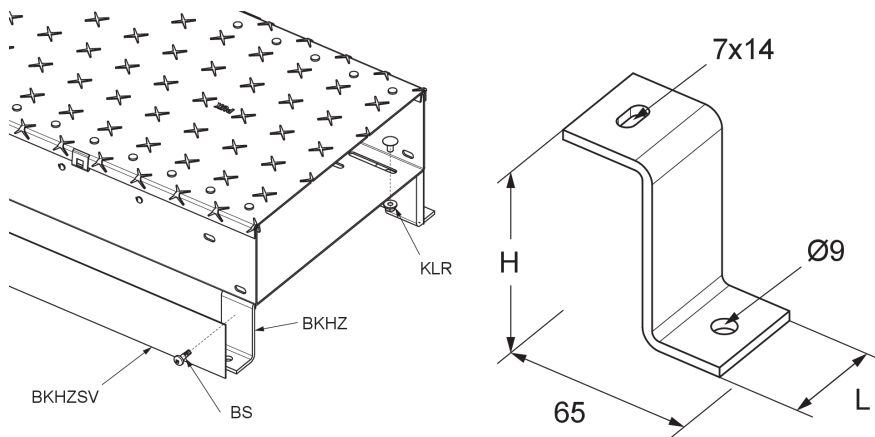
The floor duct support BKHZ is used to elevate the floor duct if, for example, media lines are to be installed underneath the floor trunking system. A maximum support spacing of 900 mm must be maintained between two Z supports on each side of the floor trunking. The Z support has a height of 75 or 85 mm and is made of hot-dip galvanized steel.

steel, batch/hot-dip galvanized

Products	H	B	L	weight
BKHZ 75-40F	75 mm	65 mm	40 mm	0,172 kg
BKHZ 75-80F	75 mm	65 mm	80 mm	0,349 kg
BKHZ 85-40F	85 mm	65 mm	40 mm	0,185 kg
BKHZ 85-80F	85 mm	65 mm	80 mm	0,376 kg

H: height
B: width
L: length

DETAIL AND APPLICATION IMAGES



Page 1



OPTIONAL ACCESSORIES

BKHZSV

