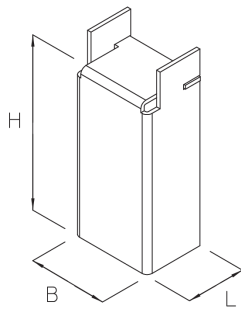


BKHRU

Floor duct bracket support



The BKHRU floor duct bracket support is used to support the BKHR floor duct bracket from a length of 400 mm. The support does not have to be bolted to the floor. There is no need to install dowels. It is made of sendzimir hot-dip galvanised steel.

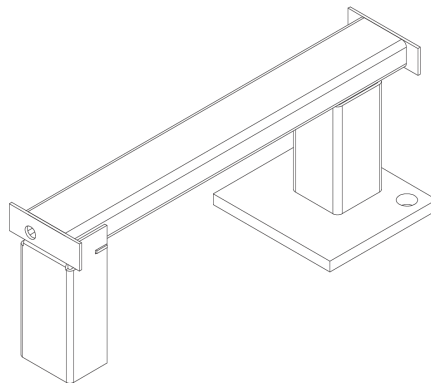
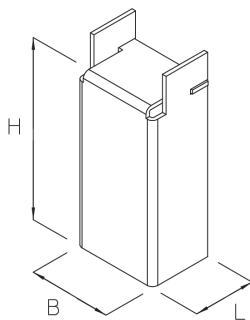
steel, continuously hot galvanized/Sendzimir process

Products	H	t	weight
BKHRU S	88 mm	2,00 mm	0,166 kg

H: height

t: material thickness

DETAIL AND APPLICATION IMAGES



OPTIONAL ACCESSORIES

BKHR

