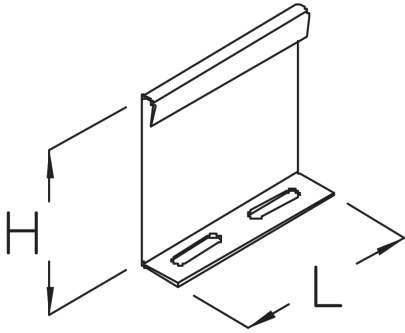


BKDS 100

Floor duct support profile, height = 100 mm

The floor duct support profile BKDS 100 is used for partial support of the floor duct cover, e.g. for formed parts. To do this, the support profile is bolted to the floor panel. It is 100 mm high and is made of sendzimir hot-dip galvanised steel.

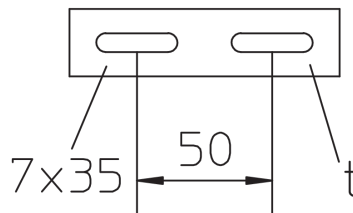
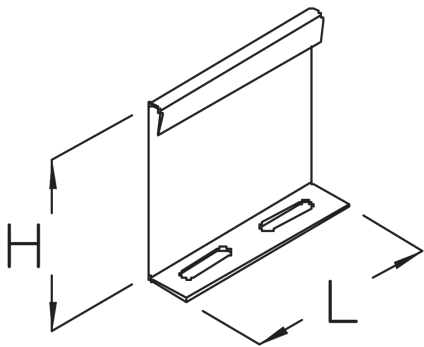


steel, continously hot galvanized/Sendzimir process

Products	H	L	t	weight
BKDS 100S	100 mm	100 mm	2,00 mm	0,220 kg
incl.:				
1 x FRSV 6X12, 1 x SEMS 6				

H: height
L: length
t: material thickness

DETAIL AND APPLICATION IMAGES





PohlCon GmbH
Nobelstraße 51 | 12057 Berlin
Telefon: +49 30 68283-04 | Fax: +49 30 68283-383 | contact@pohlcon.com

