

BGUQ-BS 60

Head/base plate, LGG 60, maintenance of function

steel, batch/hot-dip galvanized

Products	W
BGUQ-BS 60F	0,834 kg
incl.:	
1 x SEMS 8E, 1 x FRSV 8X16E	

Stainless steel, according to ASTM 304 / BS 304 S 3

Products	W
BGUQ-BS 60E	0,785 kg
incl.:	
1 x FRSV 8X16E, 1 x SEMS 8E	

Stainless steel, according to ASTM 316 Ti / AISI 316 L, BS 320S17 / BS 316S11

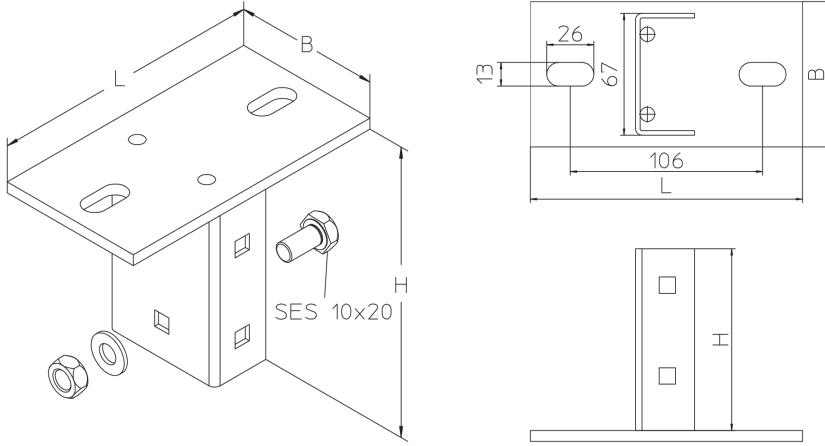
Products	W
BGUQ-BS 60E4	0,795 kg
incl.:	
1 x FKS 8X16E4, 1 x SEM 8E4, 2 x US 8X17E4	



PRODUCT INFORMATION

W: Weight per storage unit

DETAIL AND APPLICATION IMAGES



OPTIONAL ACCESSORIES

SD

