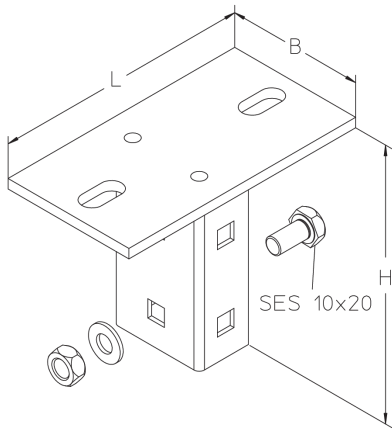


# PRODUCT INFORMATION



## BGUQ-BS 50

Head/base plate, STU 50, maintenance of function

steel, batch/hot-dip galvanized

Products	weight
BGUQ-BS 50F	0,865 kg
incl.:	
2 × SES 10X20F, 2 × SEM 10F, 2 × US 10X21F	

Stainless steel, according to ASTM 304 / BS 304 S 3

Products	weight
BGUQ-BS 50E	0,818 kg
incl.:	
2 × SES 10X20E, 2 × SEM 10E, 2 × US 10X21E	

Stainless steel, according to ASTM 316 Ti / AISI 316 L, BS 320S17 / BS 316S11

Products	weight
BGUQ-BS 50E4	0,828 kg
incl.:	
2 × SES 10X20E4, 2 × SEM 10E4, 2 × US 10X21E4	

Page 1



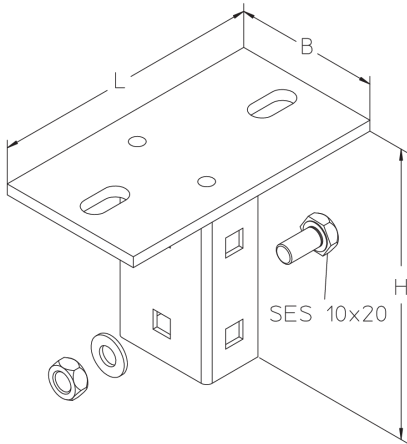
PohlCon GmbH  
Nobelstraße 51 | 12057 Berlin  
Telefon: +49 30 68283-04 | Fax: +49 30 68283-383 | contact@pohlcon.com



# PRODUCT INFORMATION

---

## DETAIL AND APPLICATION IMAGES



## OPTIONAL ACCESSORIES

SD

