

BGUDW

Screw-on head plate, 30°-90°, KHU 40/57/60

The head plate BGUDW is used for mounting bracket holders KHU 40, 57 and 60 on ceilings. It is bolted to the profile and dowelled to the ceiling. Bracing in the range of 30° to 90° can be installed. We provide components in various materials and surface finishes to ensure that the corrosion requirements are met for all sorts of applications.

steel, batch/hot-dip galvanized

Products	H	B	L	weight
BGUDW F	120 mm	80 mm	200 mm	1,340 kg
incl.:				
2 × SES 10X25F, 2 × SEM 10F, 2 × US 10X30F				

Stainless steel, according to ASTM 316 Ti / AISI 316 L, BS 320S17 / BS 316S11

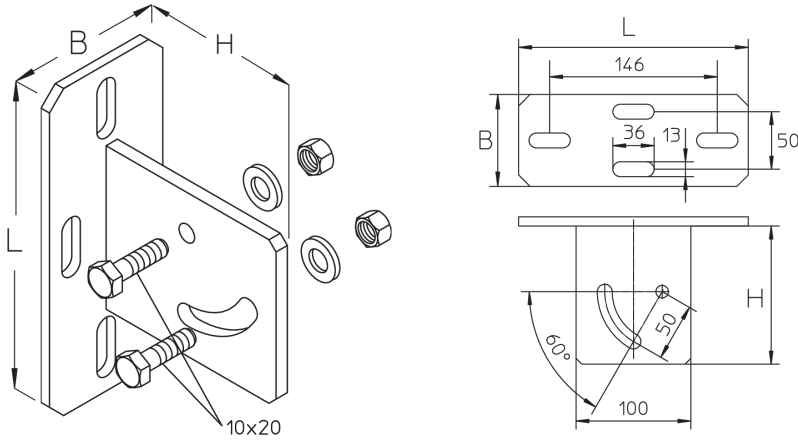
Products	H	B	L	weight
BGUDW E4	120 mm	80 mm	200 mm	1,250 kg
incl.:				
2 × SES 10X25E4, 2 × SEM 10E4, 2 × US 10X30E4				

H: height
B: width
L: length

DETAIL AND APPLICATION IMAGES



PRODUCT INFORMATION



OPTIONAL ACCESSORIES

SD

