

BGUD

Screw-on head plate, $\pm 30^\circ$, KHU 40/57/60

The head plate BGUD is used for mounting bracket holders KHU 40, 57 and 60 on ceilings. It is bolted to the profile and dowelled to the ceiling. Inclined bracing in the range of $\pm 30^\circ$ can be installed. We provide components in various materials and surface finishes to ensure that the corrosion requirements are met for all sorts of applications.

steel, galvanic zinc plated

Products	H	B	L	W
BGUD GV	125 mm	80 mm	200 mm	1,165 kg
incl.:				
2 x SES 10X25, 2 x SEM 10, 2 x US 10X30				

steel, batch/hot-dip galvanized

Products	H	B	L	W
BGUD F	125 mm	80 mm	200 mm	1,239 kg
incl.:				
2 x SES 10X25F, 2 x SEM 10F, 2 x US 10X30F				

Stainless steel, according to ASTM 304 / BS 304 S 3

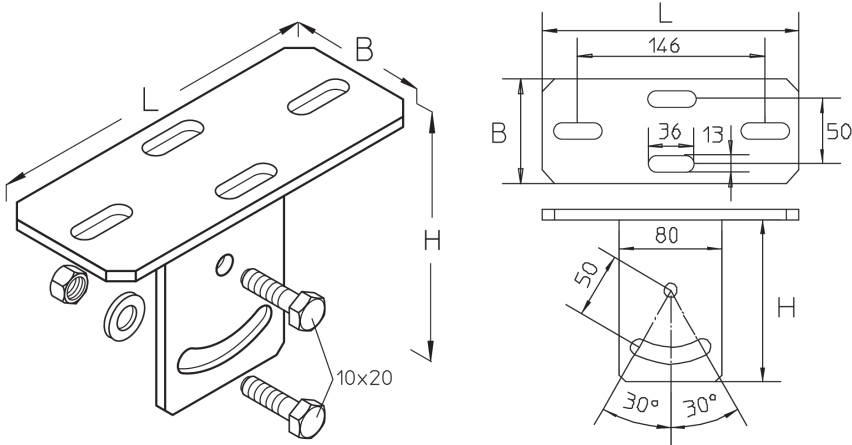
Products	H	B	L	W
BGUD E	125 mm	80 mm	200 mm	1,147 kg
incl.:				
2 x SES 10X25E, 2 x SEM 10E, 2 x US 10X30E				



PRODUCT INFORMATION

H: height
B: width
L: length
W: Weight per storage unit

DETAIL AND APPLICATION IMAGES



OPTIONAL ACCESSORIES

SD

