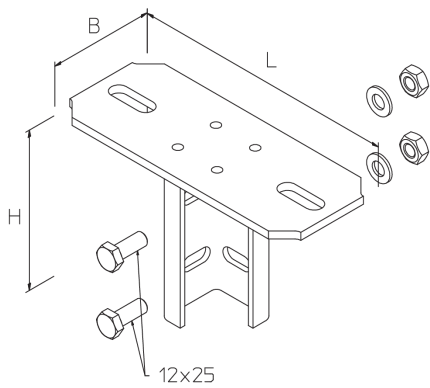


PRODUCT INFORMATION



BGU 80

Screw-on head plate, KHU 80

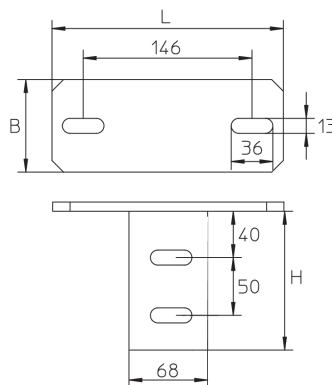
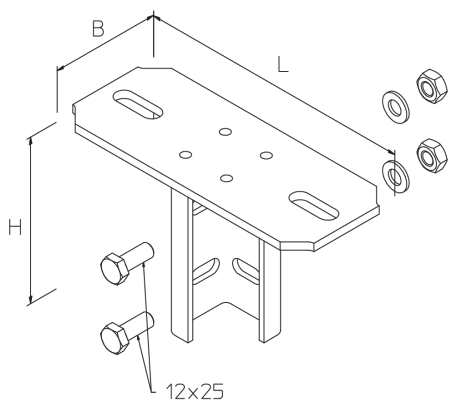
The head plate BGU 80 is used for mounting bracket holder KHU 80 on ceilings. It is bolted to the bracket holder and dowelled to the ceiling. It is made of hot-dip galvanized steel.

steel, batch/hot-dip galvanized

Products	H	B	L	W
BGU 80F	120 mm	80 mm	200 mm	1,850 kg
incl.:				
4 x SES 12X25F, 4 x SEM 12F, 4 x US 13X24F				

H: height
B: width
L: length
W: Weight per storage unit

DETAIL AND APPLICATION IMAGES



Page 1



PohlCon GmbH
Nobelstraße 51 | 12057 Berlin
Telefon: +49 30 68283-04 | Fax: +49 30 68283-383 | contact@pohlcon.com



OPTIONAL ACCESSORIES

SD

