

## BGU 60

### Bolted head plate, KHU 60

The head plate BGU 60 is used for mounting bracket holder KHU 60 on ceilings. It is bolted to the bracket holder and dowelled to the ceiling. STU 60 and STU 62 vertical ladders can also be attached to the ceiling and/or floor using the head plate BGU 60. We provide components in various materials and surface finishes to ensure that the corrosion requirements are met for all sorts of applications.

#### steel, galvanic zinc plated

Products	H	B	L	W
BGU 60GV	120 mm	80 mm	200 mm	1,251 kg
incl.:				
4 × SES 10X25F, 4 × SEM 10F, 4 × US 10X21F				

#### steel, batch/hot-dip galvanized

Products	H	B	L	W
BGU 60F	120 mm	80 mm	200 mm	1,289 kg
incl.:				
4 × SES 10X25F, 4 × SEM 10F, 4 × US 10X21F				

#### Stainless steel, according to ASTM 304 / BS 304 S 3

Products	H	B	L	W
BGU 60E	120 mm	80 mm	200 mm	1,259 kg
incl.:				
4 × SES 10X25E, 4 × SEM 10E, 4 × US 10X21E				



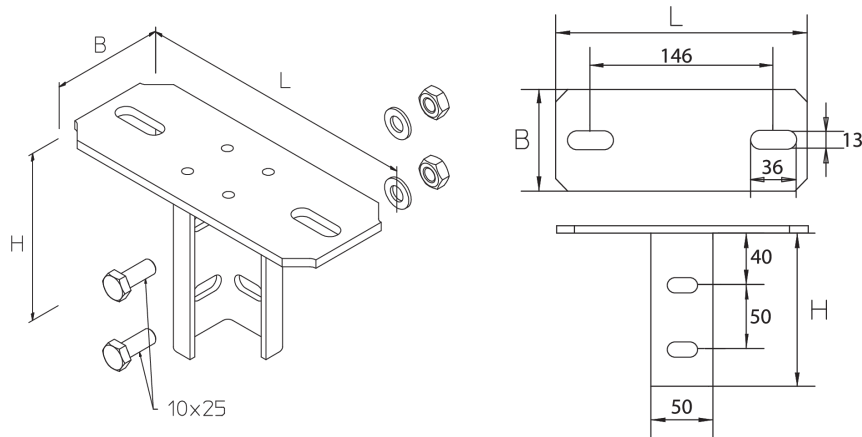
# PRODUCT INFORMATION

Stainless steel, according to ASTM 316 Ti / AISI 316 L, BS 320S17 / BS 316S11

Products	H	B	L	W
BGU 60E4	120 mm	80 mm	200 mm	1,256 kg
incl.:				
4 × SES 10X25E4, 4 × SEM 10E4, 4 × US 10X21E4				

**H:** height  
**B:** width  
**L:** length  
**W:** Weight per storage unit

## DETAIL AND APPLICATION IMAGES



## OPTIONAL ACCESSORIES

SD

