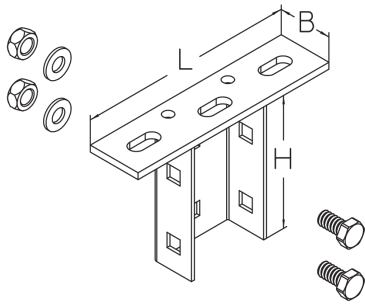


BGU 57

Screw-on head plate, KHU 57



The head plate BGU 57 is used to mount bracket holder KHU 57 on ceilings. It is bolted to the bracket holder and dowelled to the ceiling. We provide components in various materials and surface finishes to ensure that the corrosion requirements are met for all sorts of applications.

steel, galvanic zinc plated

Products	H	B	L	t	weight
BGU 57GV	120 mm	80 mm	200 mm	5,00 mm	0,505 kg
incl.:					
2 × FRSV 10X20, 2 × SEMS 10					

steel, batch/hot-dip galvanized

Products	H	B	L	t	weight
BGU 57F	120 mm	80 mm	200 mm	5,00 mm	0,541 kg
incl.:					
2 × US 10X21F, 2 × SEM 10F, 2 × FRSV 10X20F					

Stainless steel, according to ASTM 304 / BS 304 S 3

Products	H	B	L	t	weight
BGU 57E	120 mm	80 mm	200 mm	5,00 mm	0,520 kg
incl.:					
2 × FRSV 10X20E, 2 × US 10X21E, 2 × SEM 10E					



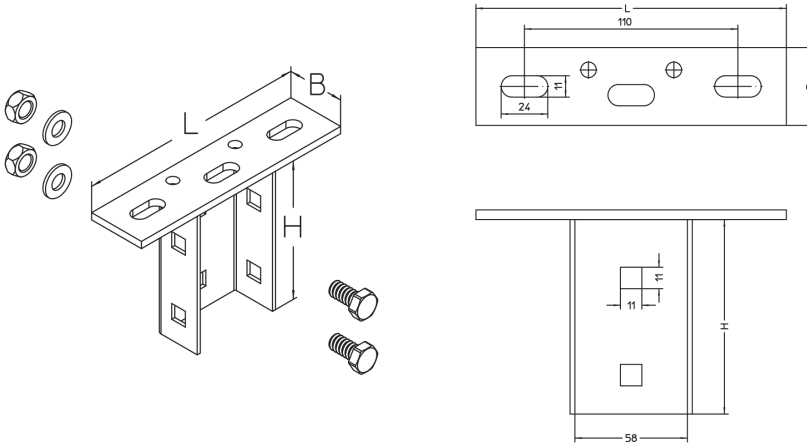
PRODUCT INFORMATION

Stainless steel, according to ASTM 316 Ti / AISI 316 L, BS 320S17 / BS 316S11

Products	H	B	L	t	weight
BGU 57E4	120 mm	80 mm	200 mm	5,00 mm	0,524 kg
incl.:					
2 x FRSV 10X20E4, 2 x US 10X21E4, 2 x SEM 10E4					

H: height
B: width
L: length
t: material thickness

DETAIL AND APPLICATION IMAGES



OPTIONAL ACCESSORIES

SD

