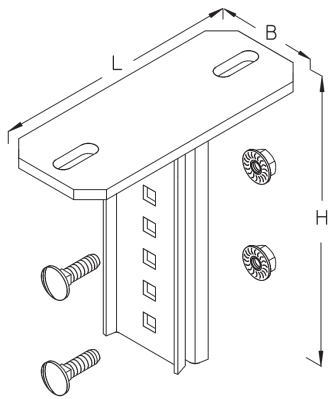


PRODUCT INFORMATION



BGIQ

Bolted head plate turned 90°, KHI

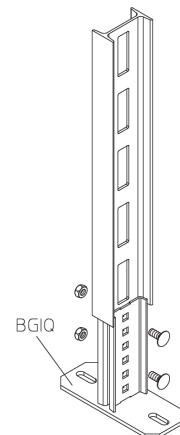
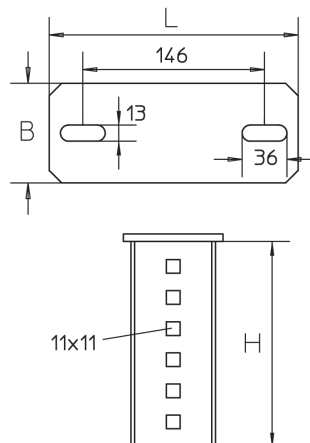
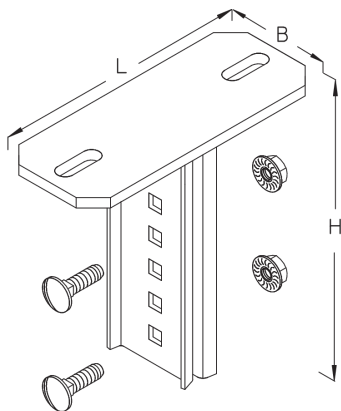
The head plate BGIQ with a plate turned at right angles to the rail is used for mounting KHI bracket holders on ceilings. It is bolted to the bracket holder and dowelled to the ceiling. The ST 81 and 82 vertical ladders can also be attached to the ceiling and/or floor using BGIQ. It is made of hot-dip galvanized steel.

steel, batch/hot-dip galvanized

Products	H	B	L	W
BGIQ F	165 mm	80 mm	200 mm	1,708 kg
incl.:				
2 × FRS 10X30F, 2 × SEM 10F				

H: height
B: width
L: length
W: Weight per storage unit

DETAIL AND APPLICATION IMAGES



Page 1



OPTIONAL ACCESSORIES

SD

