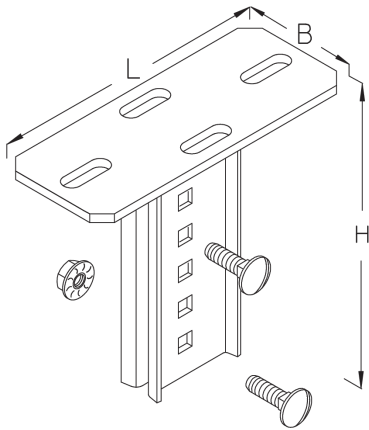


# PRODUCT INFORMATION



## BGI

### Bolted head plate, KHI

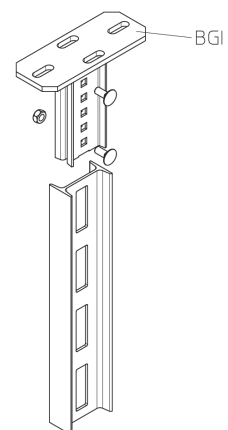
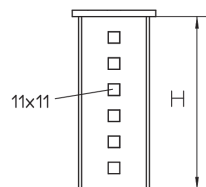
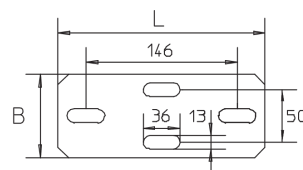
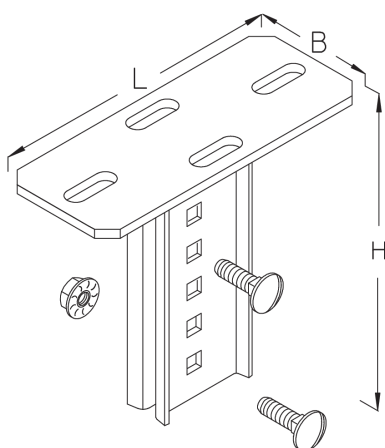
KHI bracket holders can be mounted on the ceiling and ST 81 and 82 vertical ladders can be attached to the ceiling and/or floor using head plate BGI. It is made of hot-dip galvanised steel.

steel, batch/hot-dip galvanized

Products	H	B	L	weight
BGI F	165 mm	80 mm	200 mm	1,542 kg
incl.:				
2 × FRS 10X30F, 2 × SEM 10F				

**H:** height  
**B:** width  
**L:** length

## DETAIL AND APPLICATION IMAGES



## OPTIONAL ACCESSORIES

SD

