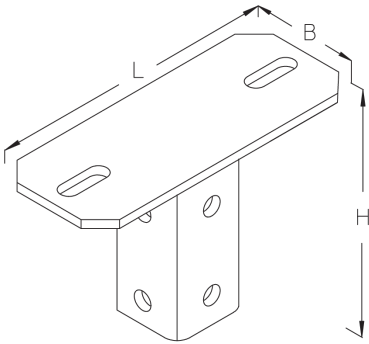


## BGA 41

Screw-on head plate, KHA 41

The head plate BGA 41 is used for mounting bracket holder KHA 41 or KHAL 41 on ceilings. It is bolted to the bracket holder and dowelled to the ceiling. It is made of hot-dip galvanized steel.

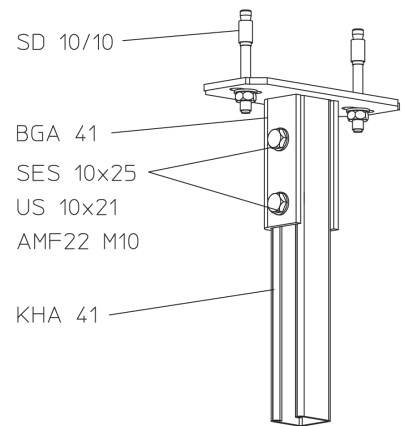
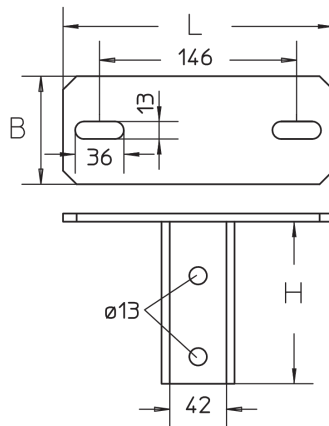
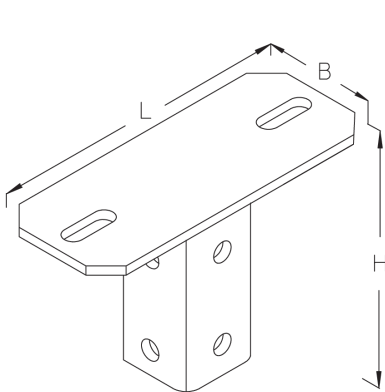


steel, batch/hot-dip galvanized

Products	H	B	L	W
BGA 41F	120 mm	80 mm	200 mm	1,470 kg

**H:** height  
**B:** width  
**L:** length  
**W:** Weight per storage unit

## DETAIL AND APPLICATION IMAGES



## OPTIONAL ACCESSORIES

SD, SKL M, SES, AM 22, AMF 22, KHA 41, KHAL 41

