

BGA 41/2

Screw-on head plate, KHA 41/82

The head plate BGA 41/2 is used for mounting two bracket holders KHA 41 / KHAL 41 or the profile rail KHA 82 on ceilings. It is bolted to the profile rails and dowelled to the ceiling. We provide components in various materials and surface finishes to ensure that the corrosion requirements are met for all sorts of applications.

steel, galvanic zinc plated

Products	H	B	L	W
BGA 41/2GV	120 mm	80 mm	220 mm	1,991 kg

steel, batch/hot-dip galvanized

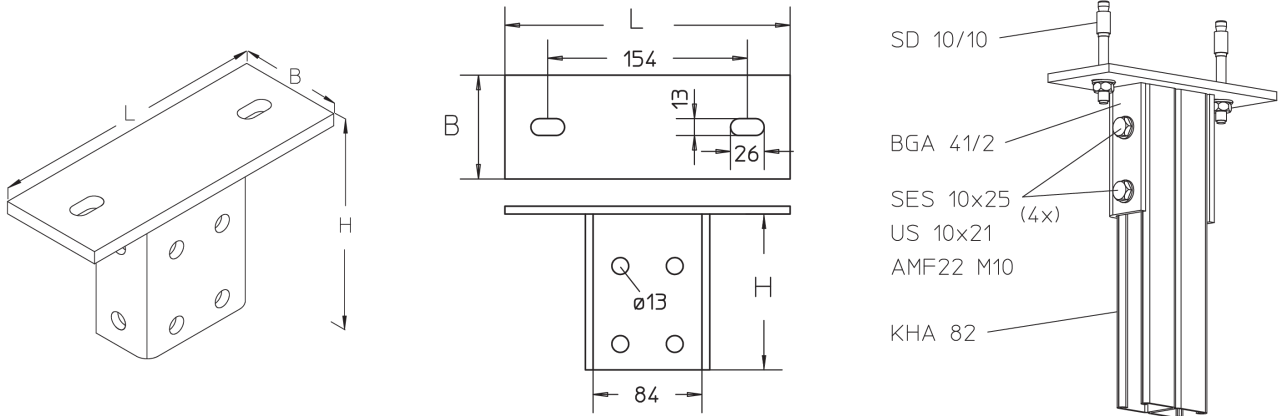
Products	H	B	L	W
BGA 41/2F	120 mm	80 mm	220 mm	2,150 kg

H: height
B: width
L: length
W: Weight per storage unit

DETAIL AND APPLICATION IMAGES



PRODUCT INFORMATION



OPTIONAL ACCESSORIES

SD, SKL M, SES, AM 22, AMF 22, KHA 41, KHAL 41, KHA 82

