

B

Cable clamp for fastening to C profile rails

The B cable clamp with full-surface pressure trough made of galvanised steel can guide cables with a maximum diameter of 70 mm. It is suitable for attachment to C profile rails with a slot width of 11-12 mm. On request, a GW counter trough can be fitted for improved cable support. The B cable clamp is made of galvanised steel.

steel, zinc plated

Products	D	H _{max}	cables	M	weight
12 B	8 - 12 mm	41 mm	1	2 Nm	0,022 kg
16 B	12 - 16 mm	46 mm	1	2 Nm	0,025 kg
20 B	16 - 20 mm	50 mm	1	2 Nm	0,030 kg
24 B	20 - 24 mm	54 mm	1	2 Nm	0,032 kg
28 B	24 - 28 mm	58 mm	1	2 Nm	0,037 kg
32 B	28 - 32 mm	63 mm	1	2 Nm	0,059 kg
36 B	32 - 36 mm	67 mm	1	2 Nm	0,072 kg
40 B	36 - 40 mm	71 mm	1	2 Nm	0,070 kg
44 B	40 - 44 mm	81 mm	1	4 Nm	0,086 kg
48 B	44 - 48 mm	85 mm	1	4 Nm	0,088 kg
52 B	48 - 52 mm	90 mm	1	4 Nm	0,098 kg
56 B	52 - 56 mm	94 mm	1	4 Nm	0,108 kg
60 B	56 - 60 mm	98 mm	1	4 Nm	0,139 kg
64 B	60 - 64 mm	102 mm	1	4 Nm	0,142 kg
70 B	64 - 70 mm	109 mm	1	4 Nm	0,153 kg
12/2 B	8 - 12 mm	58 mm	2	2 Nm	0,029 kg
16/2 B	12 - 16 mm	67 mm	2	2 Nm	0,035 kg
20/2 B	16 - 20 mm	75 mm	2	2 Nm	0,041 kg
24/2 B	20 - 24 mm	84 mm	2	2 Nm	0,047 kg
28/2 B	24 - 28 mm	92 mm	2	2 Nm	0,053 kg
32/2 B	28 - 32 mm	101 mm	2	2 Nm	0,081 kg

Page 1



PRODUCT INFORMATION

Products	D	H _{max}	cables	M	weight
36/2 B	32 - 36 mm	109 mm	2	2 Nm	0,090 kg
40/2 B	36 - 40 mm	117 mm	2	2 Nm	0,099 kg
44/2 B	40 - 44 mm	127 mm	2	4 Nm	0,122 kg
48/2 B	44 - 48 mm	135 mm	2	4 Nm	0,133 kg
52/2 B	48 - 52 mm	144 mm	2	4 Nm	0,139 kg
56/2 B	52 - 56 mm	152 mm	2	4 Nm	0,152 kg

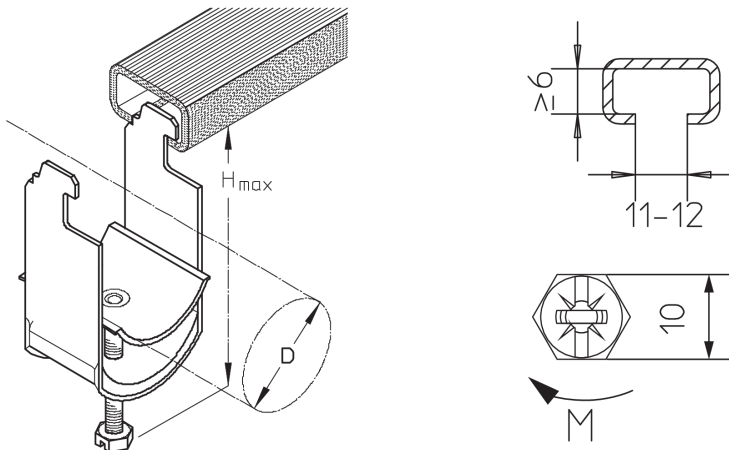
D: clamping range

H_{max}: maximum height

cables: max. number of cables

M: torque

DETAIL AND APPLICATION IMAGES



OPTIONAL ACCESSORIES

GW 12-70, DW, B 3, B 6

