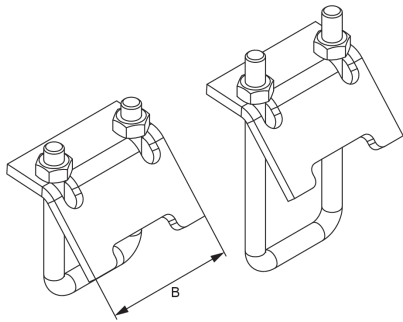


AVSKGB



The AVSKGB 41 beam clamp is used to attach mounting channels (A 41, KHA 41, KHAL 41, KHA 42) to horizontal steel beams.
The AVSKGB 82 beam clamp is used to fasten mounting channels (KHA 82) to horizontal steel beams.

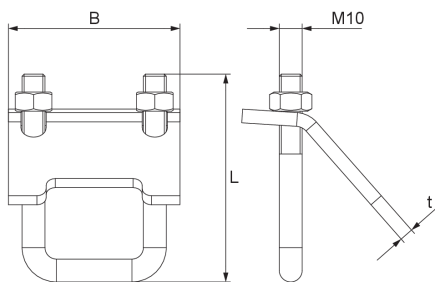
The maximum flange thickness of the steel beam to be fastened is 22 mm. It is made of hot-dip galvanised steel.

Products	L	B	t	k	W
AVSKGB 41F	73 mm	75 mm	6 mm	22 mm	0,360 kg
AVSKGB 82F	132 mm	75 mm	6 mm	22 mm	0,583 kg

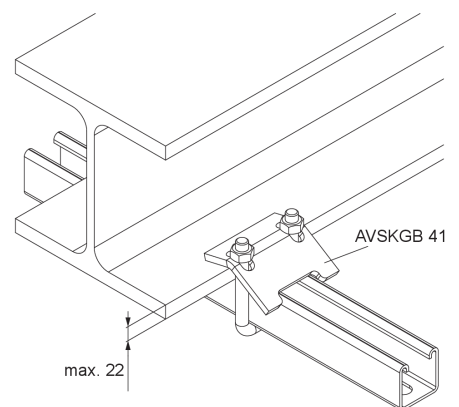
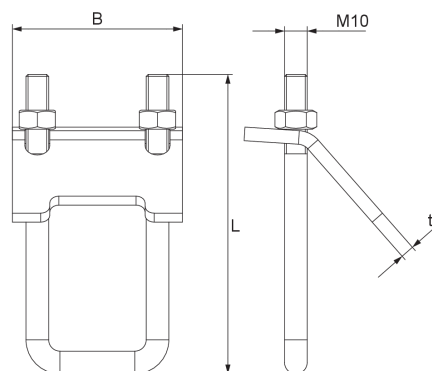
L: length
B: width
t: material thickness
k: clamping range
W: Weight per storage unit

DETAIL AND APPLICATION IMAGES

AVSKGB 41



AVSKGB 82



PRODUCT INFORMATION

