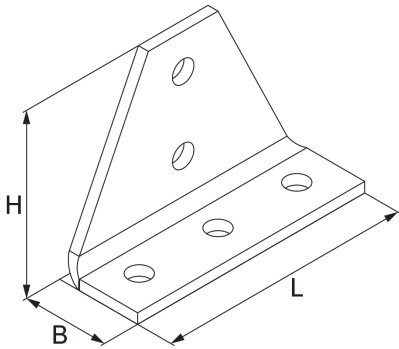


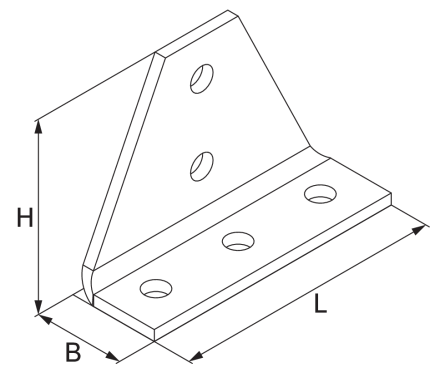
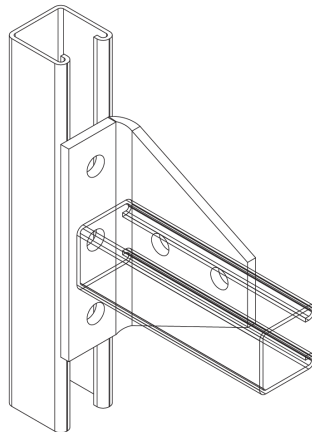
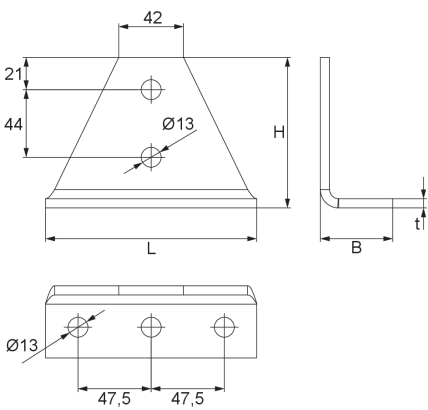
AVLWBL



Products	L	B	H	t	α	W
AVLWBL 1-2F	137 mm	47 mm	98 mm	6 mm	90°	0,650 kg

L: length
B: width
H: height
t: material thickness
 α :
W: Weight per storage unit

DETAIL AND APPLICATION IMAGES





PohlCon GmbH
Nobelstraße 51 | 12057 Berlin
Telefon: +49 30 68283-04 | Fax: +49 30 68283-383 | contact@pohlcon.com

