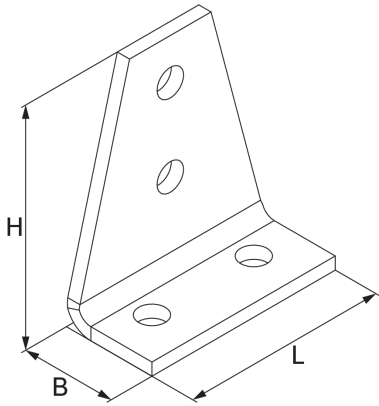


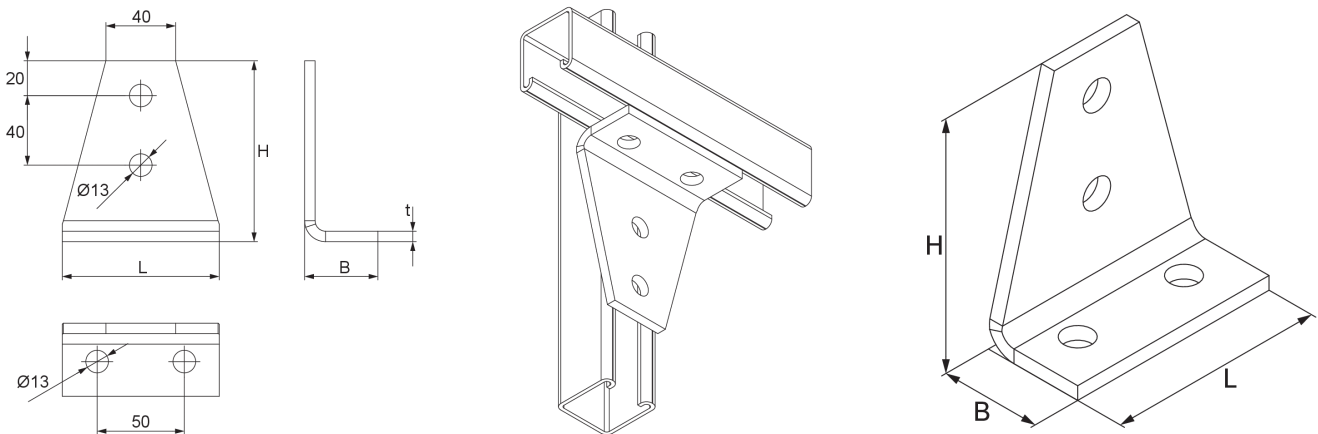
AVLWB



Products	L	B	H	t	α	W
AVLWB 1-2F	90 mm	42 mm	104 mm	6 mm	90°	0,450 kg

L: length
B: width
H: height
t: material thickness
 α :
W: Weight per storage unit

DETAIL AND APPLICATION IMAGES





PohlCon GmbH
Nobelstraße 51 | 12057 Berlin
Telefon: +49 30 68283-04 | Fax: +49 30 68283-383 | contact@pohlcon.com

