

AVLW

Rail connector, angular

The channel connectors AVLW are corner connectors with an angle of 90° with 1-1, 1-2, 1-3 or 2-2 perforations. They connect mounting channels as crossings or branches and are made of hot-dip galvanized steel.

steel, batch/hot-dip galvanized

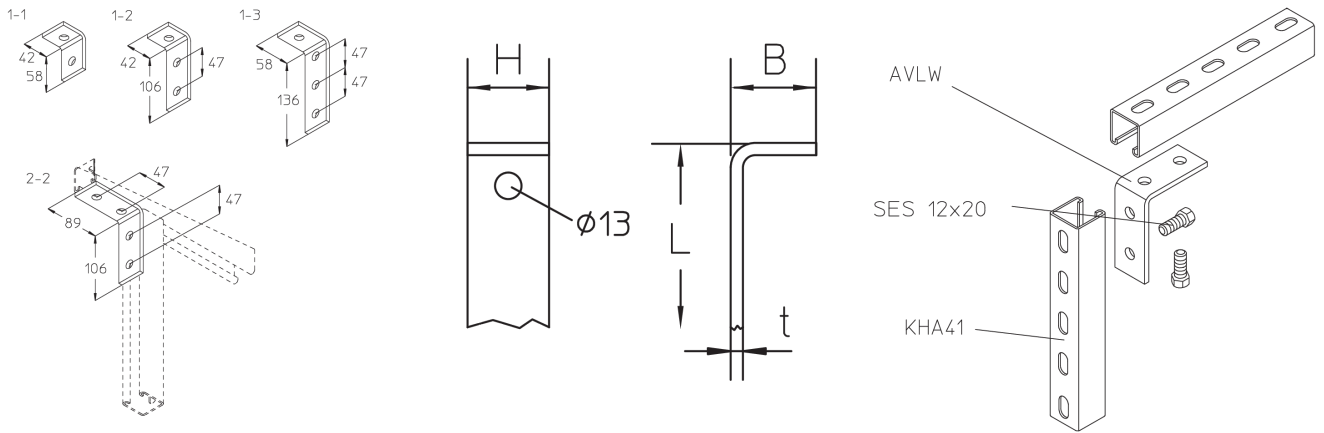
Products	H	B	L	t		W
AVLW 1-1F	58 mm	40 mm	42 mm	6,00 mm	90 °	0,170 kg
AVLW 1-2F	105 mm	40 mm	42 mm	6,00 mm	90 °	0,260 kg
AVLW 1-3F	137 mm	40 mm	57 mm	6,00 mm	90 °	0,360 kg
AVLW 2-2F	105 mm	40 mm	89 mm	6,00 mm	90 °	0,296 kg
AVLW45 2-2F	70 mm	40 mm	159 mm	6,00 mm	45 °	0,340 kg

H: height
B: width
L: length
t: material thickness
W: Weight per storage unit

DETAIL AND APPLICATION IMAGES



PRODUCT INFORMATION



OPTIONAL ACCESSORIES

SES, AM 22, AMF 22

