

## AVLW 45

Channel connector, 45°

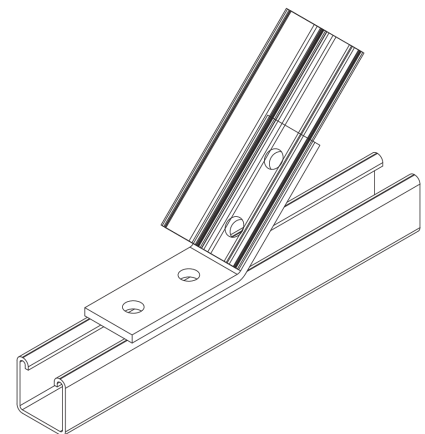
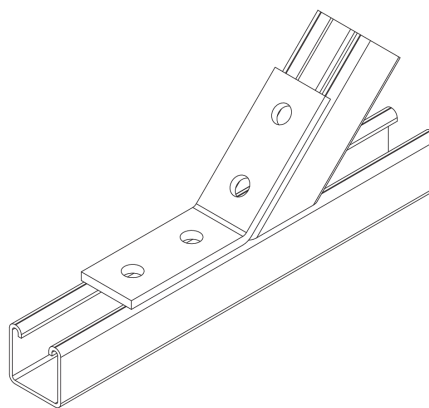
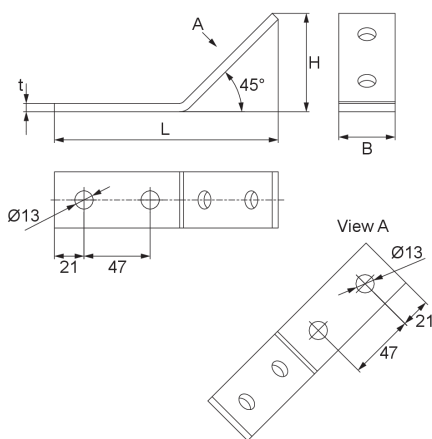
The channel connector AVLW 45 is a corner connector with an angle of 45° with 2-2 perforation. It connects mounting channels as a junction or branch and is made of hot-dip galvanised steel.

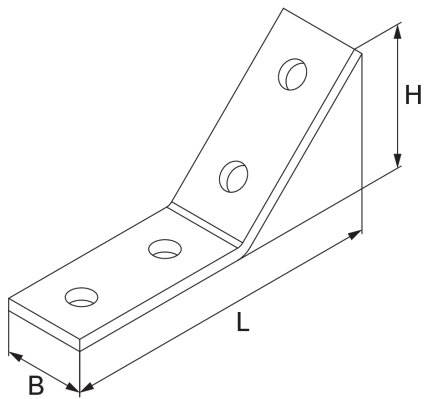
steel, batch/hot-dip galvanized

Products	L	B	H	t	$\alpha$	W
AVLW45 2-2F	159 mm	40 mm	70 mm	6,00 mm	45°	0,340 kg

**L:** length  
**B:** width  
**H:** height  
**t:** material thickness  
 **$\alpha$ :**  
**W:** Weight per storage unit

## DETAIL AND APPLICATION IMAGES





## OPTIONAL ACCESSORIES

SES, AM 22, AMF 22

