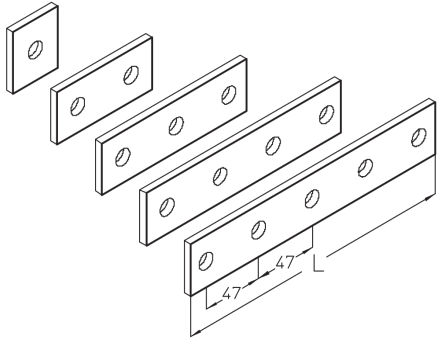


PRODUCT INFORMATION



AVL

Rail connector

The rail connector AVL can be used to connect mounting channels together end to end, or as branches or crossings. It is made of hot-dip galvanized steel.

steel, batch/hot-dip galvanized

Products	B	L	t	W
AVL-1F	40 mm	42 mm	6,00 mm	0,078 kg
AVL-2F	40 mm	89 mm	6,00 mm	0,165 kg
AVL-3F	40 mm	136 mm	6,00 mm	0,253 kg
AVL-4F	40 mm	183 mm	6,00 mm	0,341 kg
AVL-5-60F	44 mm	40 mm	211 mm	6,00 mm 60 ° 0,430 kg
AVL-5F	40 mm	230 mm	6,00 mm	0,430 kg

B: width

L: length

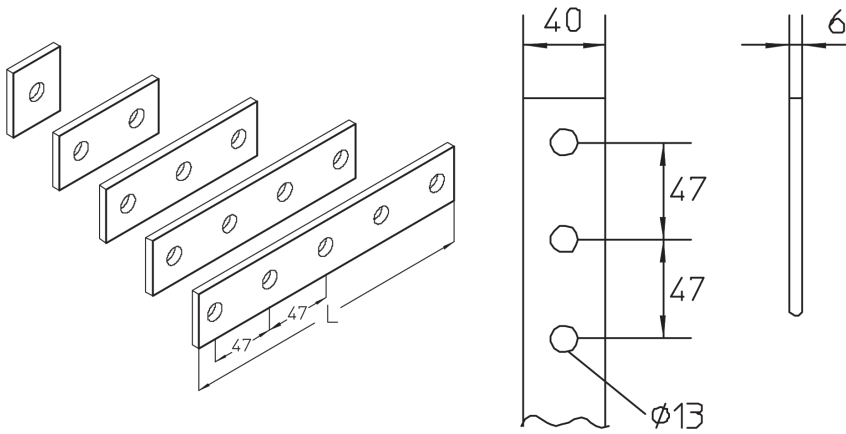
t: material thickness

W: Weight per storage unit

DETAIL AND APPLICATION IMAGES



PRODUCT INFORMATION



OPTIONAL ACCESSORIES

SES, AM 22, AMF 22

