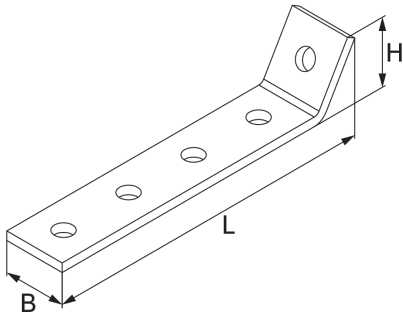


AVL 60

Channel connector, 60°

The channel connector AVL 60 is a corner connector with an angle of 60° with 1-3 perforation. It connects mounting channels as a junction or branch and is made of hot-dip galvanized steel.

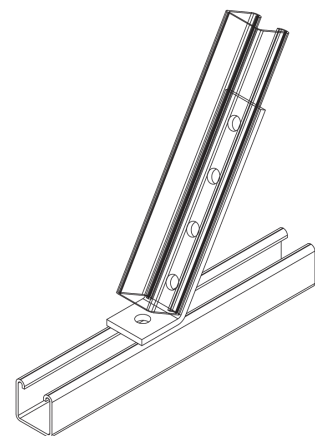
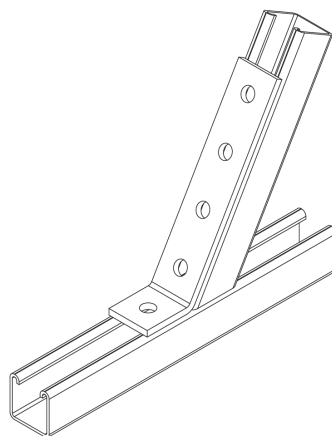
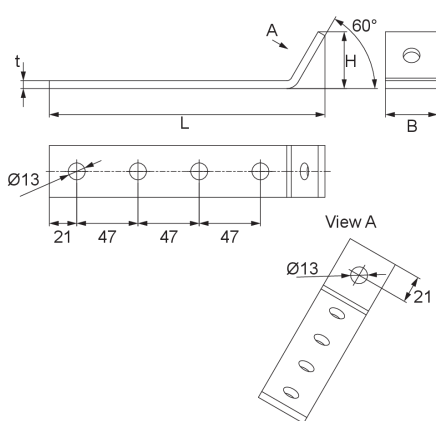


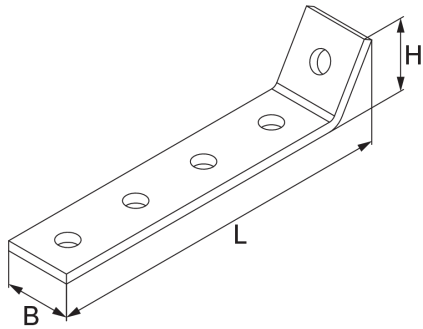
steel, batch/hot-dip galvanized

Products	L	B	H	t	α	W
AVL-5-60F	211 mm	40 mm	44 mm	6,00 mm	60°	0,430 kg

L: length
B: width
H: height
t: material thickness
 α :
W: Weight per storage unit

DETAIL AND APPLICATION IMAGES





OPTIONAL ACCESSORIES

SES, AM 22, AMF 22

