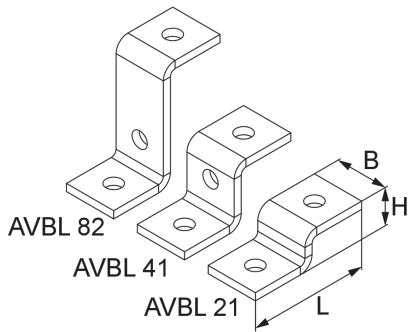


AVBL

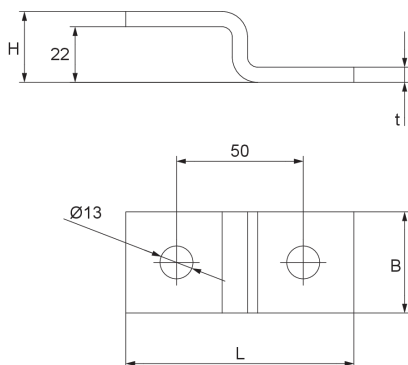


Products	L	B	H	t	W
AVBL 21F	90 mm	40 mm	28 mm	6 mm	0,190 kg
AVBL 41F	90 mm	40 mm	48 mm	6 mm	0,220 kg
AVBL 82F	90 mm	40 mm	90 mm	6 mm	0,310 kg

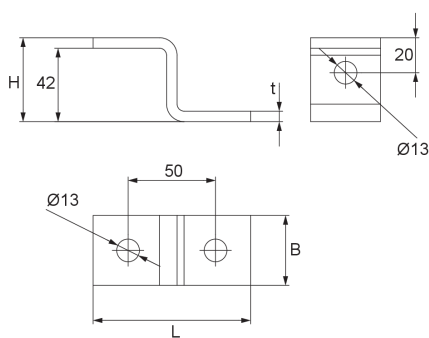
L: length
B: width
H: height
t: material thickness
W: Weight per storage unit

DETAIL AND APPLICATION IMAGES

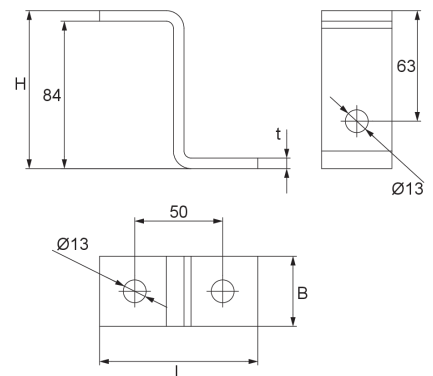
AVBL 21



AVBL 41

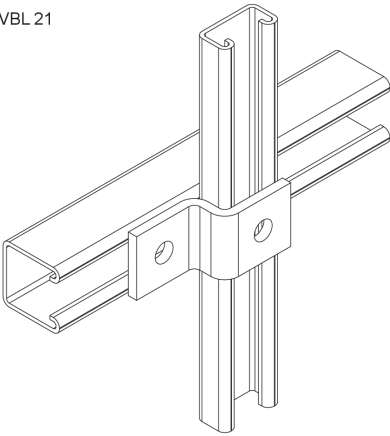


AVBL 82

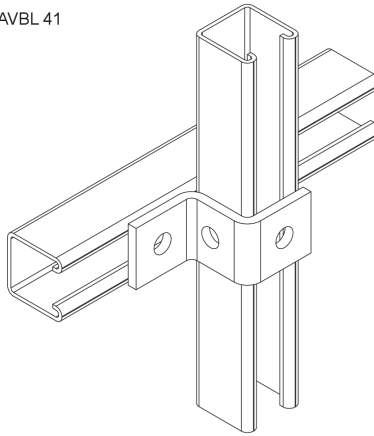


PRODUCT INFORMATION

AVBL 21



AVBL 41



AVBL 82

