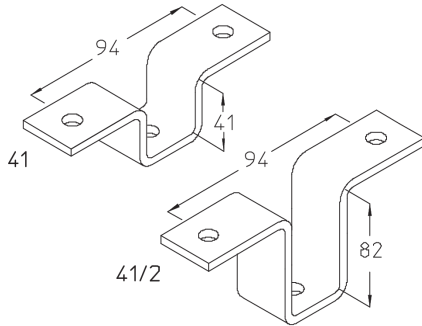


AVB

Rail connector bracket

The rail connector bracket AVB connects mounting channels 41 x 41 and 82 x 41 together as crossings. It is made of hot-dip galvanized steel.



steel, batch/hot-dip galvanized

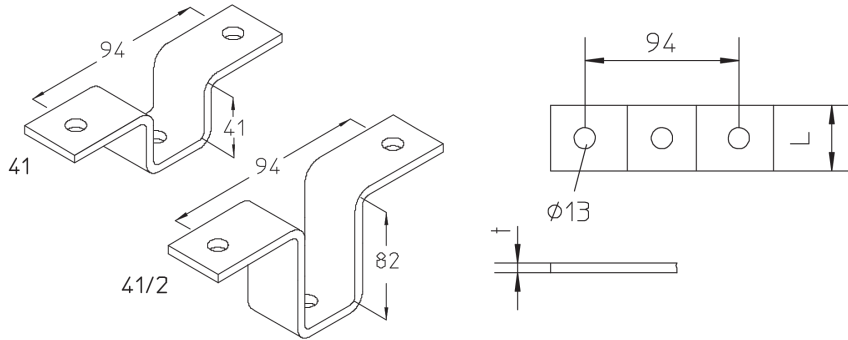
Products	H	B	L	t	W
AVB 21F	28 mm	40 mm	134 mm	6,00 mm	0,290 kg
AVB 41/2F	90 mm	40 mm	134 mm	6,00 mm	0,480 kg
AVB 41F	48 mm	40 mm	134 mm	6,00 mm	0,440 kg

H: height
B: width
L: length
t: material thickness
W: Weight per storage unit

DETAIL AND APPLICATION IMAGES



PRODUCT INFORMATION



OPTIONAL ACCESSORIES

SES, AM 22, AMF 22

