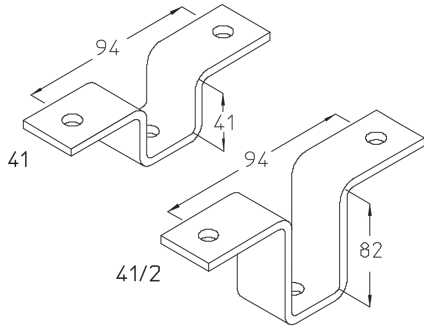


## AVB

### Rail connector bracket

The rail connector bracket AVB connects mounting channels 41 x 41 and 82 x 41 together as crossings. It is made of hot-dip galvanized steel.



steel, batch/hot-dip galvanized

Products	H	B	L	t	W
AVB 21F	28 mm	40 mm	134 mm	6,00 mm	0,290 kg
AVB 41/2F	90 mm	40 mm	134 mm	6,00 mm	0,480 kg
AVB 41F	48 mm	40 mm	134 mm	6,00 mm	0,440 kg

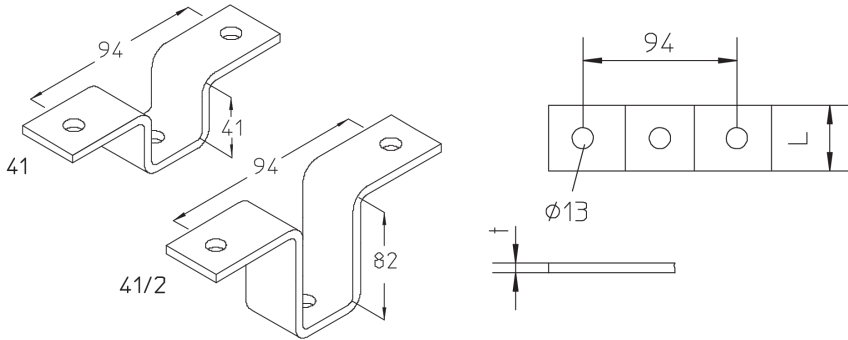
**H:** height  
**B:** width  
**L:** length  
**t:** material thickness  
**W:** Weight per storage unit

## DETAIL AND APPLICATION IMAGES



# PRODUCT INFORMATION

---



## OPTIONAL ACCESSORIES

SES, AM 22, AMF 22

