

## AVA

Rail connector, branch

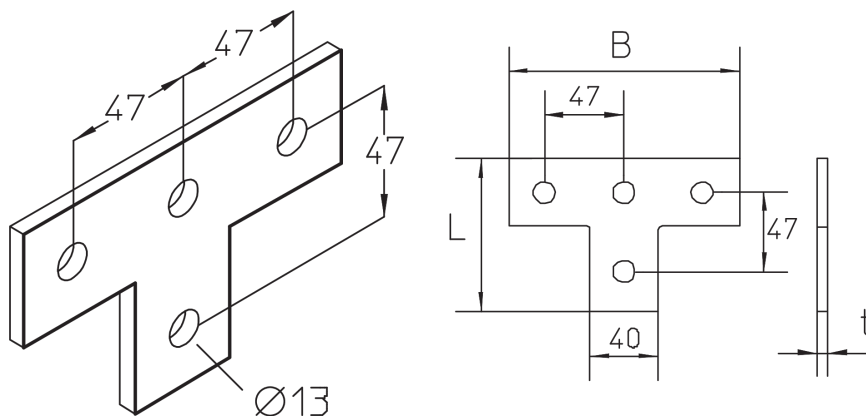
The channel connector branch AVA can be used to connect mounting channels together as crossings. It is made of hot-dip galvanized steel.

steel, batch/hot-dip galvanized

Products	H	B	t	W
AVA F	90 mm	136 mm	6,00 mm	0,360 kg

**H:** height  
**B:** width  
**t:** material thickness  
**W:** Weight per storage unit

## DETAIL AND APPLICATION IMAGES



## OPTIONAL ACCESSORIES

SES, AM 22, AMF 22

