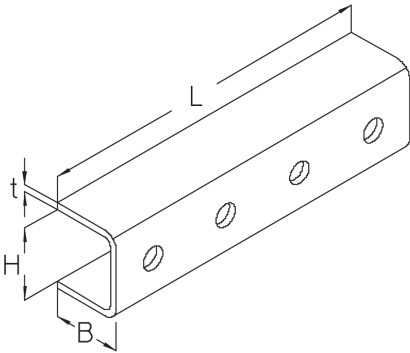


PRODUCT INFORMATION



AV 41

Connector, A/KHA 21/41/42/82

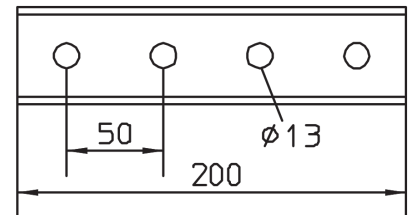
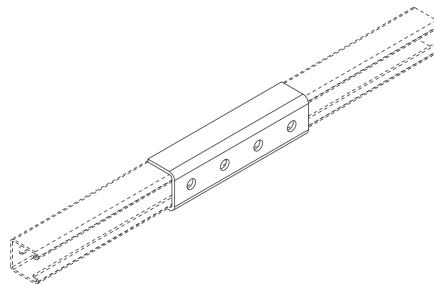
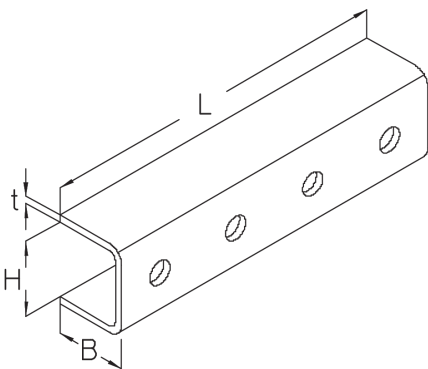
The connector AV 41 can be used to connect mounting channels A or KHA 21/41/42/82 together end to end. It is made of hot-dip galvanized steel.

steel, batch/hot-dip galvanized

Products	H	B	L	t	W
AV 41F	50 mm	40 mm	200 mm	4,00 mm	0,723 kg

H: height
B: width
L: length
t: material thickness
W: Weight per storage unit

DETAIL AND APPLICATION IMAGES



OPTIONAL ACCESSORIES

SES, AM 22, AMF 22, A 41, KHA 21, KHA 41, KHA 42, KHA 82

