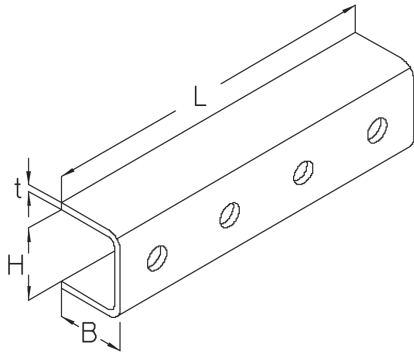


# PRODUCT INFORMATION



## AV

Connector, A/KHA 21/41/42/82

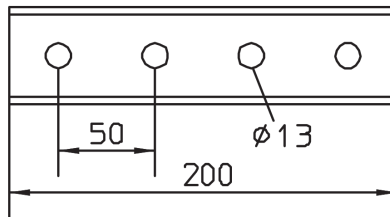
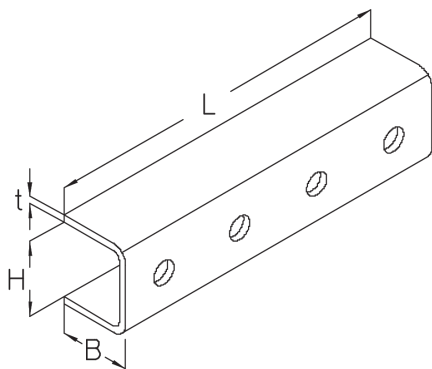
The connector AV can be used to connect mounting channels A or KHA 21/41/42/82 together end to end. It is made of hot-dip galvanised steel.

steel, batch/hot-dip galvanized

Products	H	B	L	t	W
AV 41F	50 mm	40 mm	200 mm	4,00 mm	0,723 kg

**H:** height  
**B:** width  
**L:** length  
**t:** material thickness  
**W:** Weight per storage unit

## DETAIL AND APPLICATION IMAGES



## OPTIONAL ACCESSORIES

SES, AM 22, AMF 22, A 41, KHA 21, KHA 41, KHA 42, KHA 82

