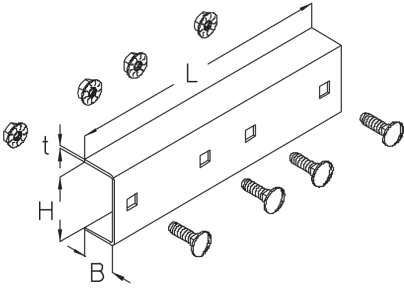


## ASK 4

Connector, A/KHA 4

Profile rails A or KHA 4 can be joined together using connector ASK 4. It is made of hot-dip galvanized steel.



steel, batch/hot-dip galvanized

Products	H	B	L	t	W
ASK 4	49 mm	24 mm	200 mm	2,00 mm	0,472 kg
incl.:					
4 × FRS 8X20E, 4 × SEMS 8E					

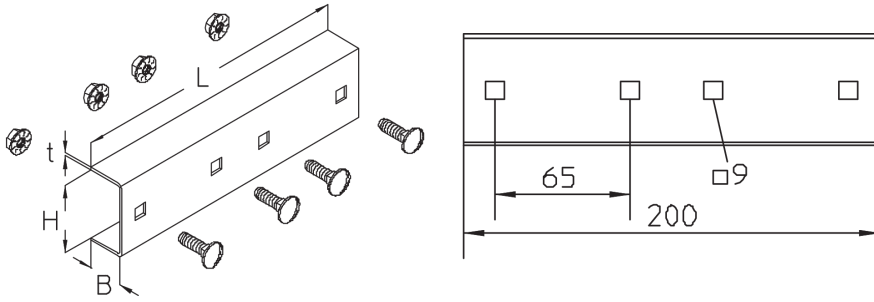
**H:** height  
**B:** width  
**L:** length  
**t:** material thickness  
**W:** Weight per storage unit

## DETAIL AND APPLICATION IMAGES



# PRODUCT INFORMATION

---



## OPTIONAL ACCESSORIES

A 4, KHA 4

