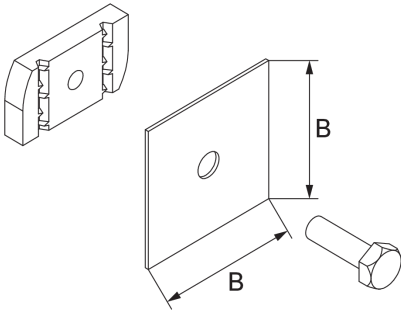


## ARS 18-KHA

Anti-slip device for perforated profile rail KHA 8, 7

For protection of the cable clamp type AC in maintenance of function, see technical certificate (AbP)



steel, batch/hot-dip galvanized

Products	B	weight
ARS 18-KHA F	40 mm	0,044 kg
incl.:		
1 x AM18 M6F, 1 x SES 6X20E, 1 x RUS 40-L7F		

**B:** width

## DETAIL AND APPLICATION IMAGES

