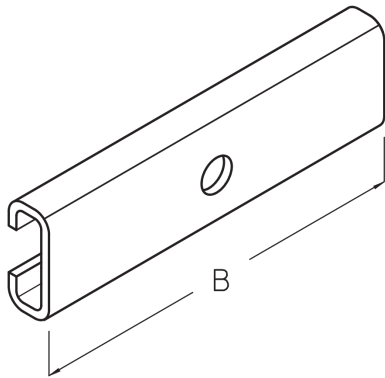


# PRODUCT INFORMATION



## AN

### Beam bracket

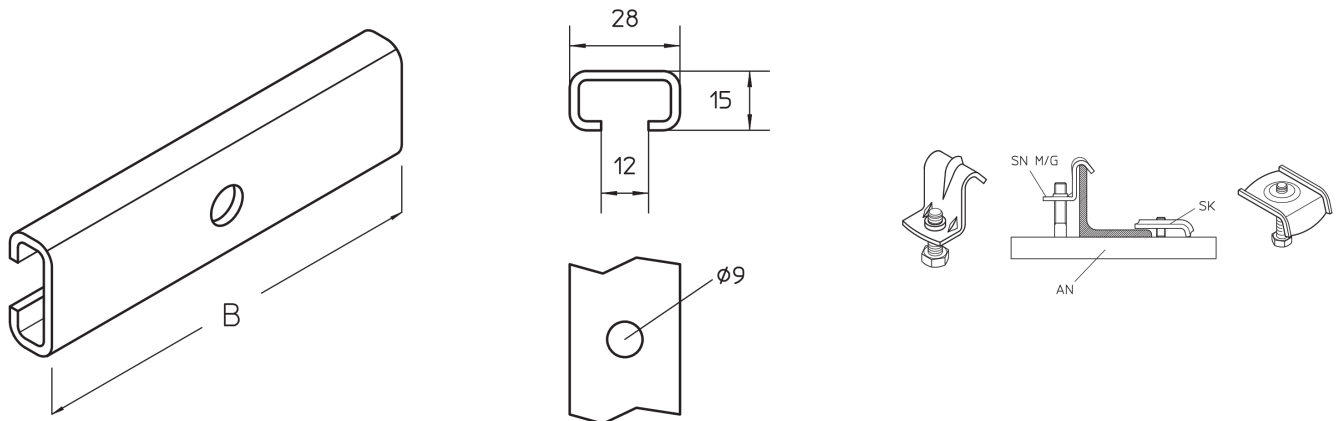
The beam bracket AN is used to fasten cable clamps to steel profiles. It is 100 mm long, has a slot 12 mm wide and is made of hot-dip galvanized steel.

steel, batch/hot-dip galvanized

Products	B	weight
AN 100F	100 mm	0,104 kg

**B:** width

## DETAIL AND APPLICATION IMAGES



## OPTIONAL ACCESSORIES

B, HB, ACF-E, SN G, SK

Page 1



PohlCon GmbH  
Nobelstraße 51 | 12057 Berlin  
Telefon: +49 30 68283-04 | Fax: +49 30 68283-383 | contact@pohlcon.com





PohlCon GmbH  
Nobelstraße 51 | 12057 Berlin  
Telefon: +49 30 68283-04 | Fax: +49 30 68283-383 | [contact@pohlcon.com](mailto:contact@pohlcon.com)

