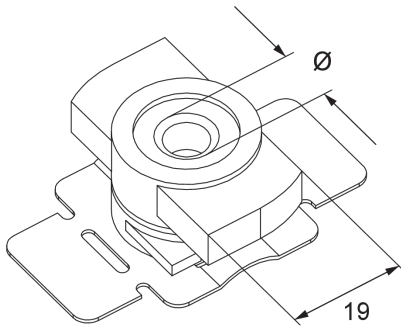


## AMK 22

### Channel nut with plastic bracket



Channel nuts with plastic fixing aid AMK 22 are threaded plates that are used with mounting rails A 41, KHA 41 and KHAL 41. A 90° turn after insertion or tilting holds the nut in the mounting/profile rail. The plastic fixing aid is used to hold the anchor nut in position. The anchor nuts, also known as rail nuts, can be positioned precisely after installation thanks to the pronounced tothing. Ideally suited for vertically installed rails. Another advantage is that no spring is used, which can jam in perforated rails. AMK 22 are available in M6, M8, M10 and M12 threads. Different materials and surfaces ensure that the corrosion protection requirements of a wide range of applications are met.

#### steel, galvanic zinc plated

Products	Ø	t	W
AMK22 M6	6 mm	6,00 mm	0,028 kg
AMK22 M8	8 mm	6,00 mm	0,027 kg
AMK22 M10	10 mm	8,00 mm	0,034 kg
AMK22 M12	12 mm	9,00 mm	0,036 kg

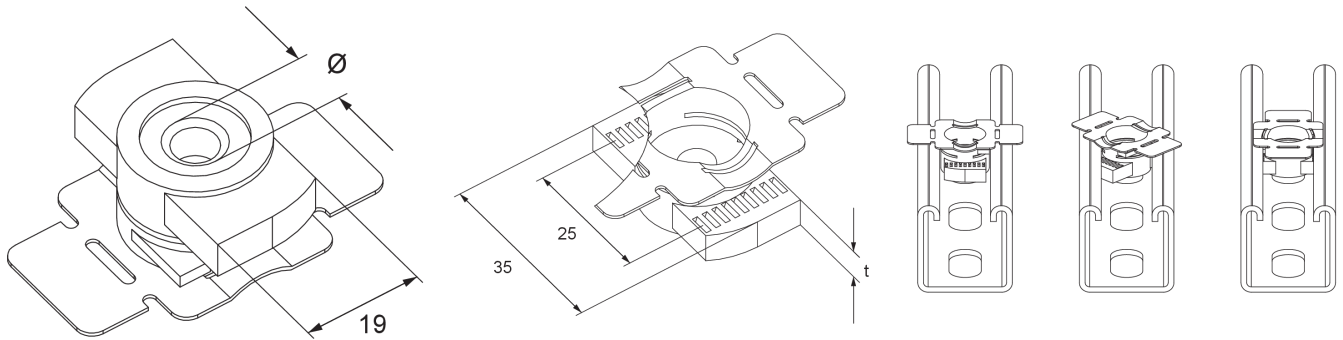
#### steel, batch/hot-dip galvanized

Products	Ø	t	W
AMK22 M6F	6 mm	6,00 mm	0,029 kg
AMK22 M8F	8 mm	6,00 mm	0,029 kg
AMK22 M10F	10 mm	8,00 mm	0,034 kg
AMK22 M12F	12 mm	9,00 mm	0,036 kg

Ø: thread diameter  
 t: material thickness  
 W: Weight per storage unit

## DETAIL AND APPLICATION IMAGES





## OPTIONAL ACCESSORIES

A 41, KHA 41, KHAL 41

