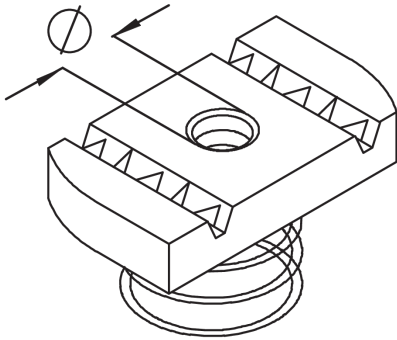


AMF 18

Channel nut with spring



AMF 18 channel nuts with springs are threaded plates used with profile rails A 7, A 8 and A 9. The threaded hole is centred by turning the nut 90° after inserting or tipping in the nut. Channel nuts, also known as locking plates, are primarily used for spaced mounting in conjunction with long bolts or threaded rods. The spring holds the channel nut in place. AMF 18 are available with M6, M8, M10 and M12 threads. We provide components in various materials and surface finishes to ensure that various corrosion protection requirements for different areas of application are met.

steel, galvanic zinc plated

| Products | ø | t | W |
|-----------|-------|---------|----------|
| AMF18 M6 | 6 mm | 6,00 mm | 0,027 kg |
| AMF18 M8 | 8 mm | 6,00 mm | 0,026 kg |
| AMF18 M10 | 10 mm | 8,00 mm | 0,033 kg |
| AMF18 M12 | 12 mm | 9,50 mm | 0,032 kg |

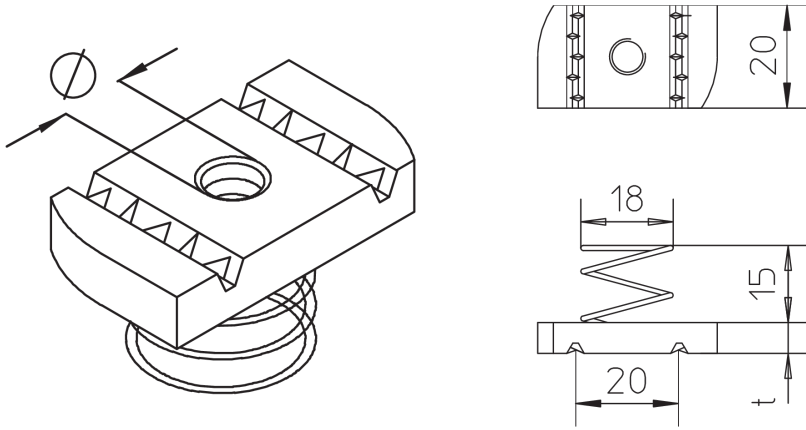
steel, batch/hot-dip galvanized

| Products | ø | t | W |
|------------|-------|---------|----------|
| AMF18 M6F | 6 mm | 6,00 mm | 0,028 kg |
| AMF18 M8F | 8 mm | 6,00 mm | 0,027 kg |
| AMF18 M10F | 10 mm | 8,00 mm | 0,035 kg |
| AMF18 M12F | 12 mm | 9,50 mm | 0,033 kg |

Ø: thread diameter
 t: material thickness
 W: Weight per storage unit

DETAIL AND APPLICATION IMAGES





OPTIONAL ACCESSORIES

A 7, A 8, A 9

