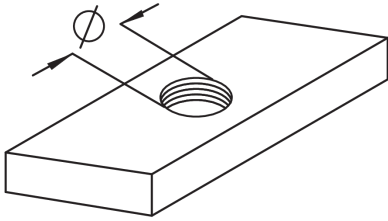


AMA 18

Channel nut



Channel nuts AMA 18 are threaded plates used with profile rails A 7, A 8 and A9. The threaded hole is centred by turning the nut 90° after inserting or tipping in the nut. Channel nuts, also known as locking plates, are primarily used for spaced mounting in conjunction with long bolts or threaded rods. They are available with M6, M8 and M10 threads. We provide components in various materials and surface finishes to ensure that various corrosion protection requirements for different areas of application are met.

steel, batch/hot-dip galvanized

Products	Ø	t	W
AMA18 M6F	6 mm	5,00 mm	0,024 kg
AMA18 M8F	8 mm	6,00 mm	0,028 kg
AMA18 M10F	10 mm	8,00 mm	0,036 kg

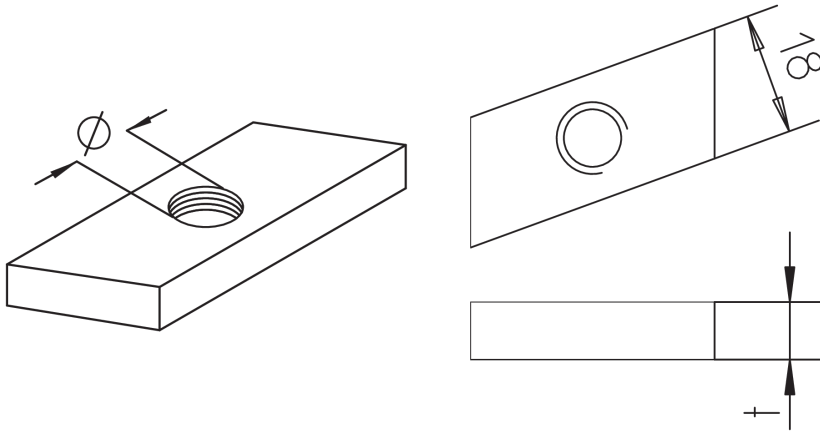
Stainless steel, according to ASTM 304 / BS 304 S 3

Products	Ø	t	W
AMA18 M6E	6 mm	6,00 mm	0,022 kg
AMA18 M8E	8 mm	6,00 mm	0,028 kg
AMA18 M10E	10 mm	8,00 mm	0,037 kg

Ø: thread diameter
t: material thickness
W: Weight per storage unit

DETAIL AND APPLICATION IMAGES





OPTIONAL ACCESSORIES

A 7, A 8, A 9

