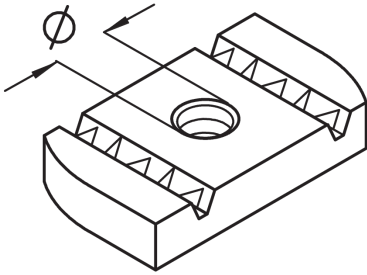


AM 18

Channel nut



Channel nuts AM 18 are threaded plates used with profile rails A 7, A 8 and A9. The threaded hole is centred by turning the nut 90° after inserting or tipping in the nut. Channel nuts, also known as locking plates, are primarily used for spaced mounting in conjunction with long bolts or threaded rods. They are available with M6, M8, M10 and M12 threads. We provide components in various materials and surface finishes to ensure that various corrosion protection requirements for different areas of application are met.

steel, galvanic zinc plated

Products	ø	t	W
AM18 M6	6 mm	6,00 mm	0,026 kg
AM18 M8	8 mm	6,00 mm	0,025 kg
AM18 M10	10 mm	8,00 mm	0,032 kg
AM18 M12	12 mm	9,50 mm	0,034 kg

steel, batch/hot-dip galvanized

Products	ø	t	W
AM18 M6F	6 mm	6,00 mm	0,027 kg
AM18 M8F	8 mm	6,00 mm	0,026 kg
AM18 M10F	10 mm	8,00 mm	0,032 kg
AM18 M12F	12 mm	9,50 mm	0,035 kg

Stainless steel, according to ASTM 316 Ti / AISI 316 L, BS 320S17 / BS 316S11

Products	ø	t	W
AM18 M6E4	6 mm	6,00 mm	0,027 kg
AM18 M8E4	8 mm	6,00 mm	0,025 kg
AM18 M10E4	10 mm	8,00 mm	0,032 kg

Page 1

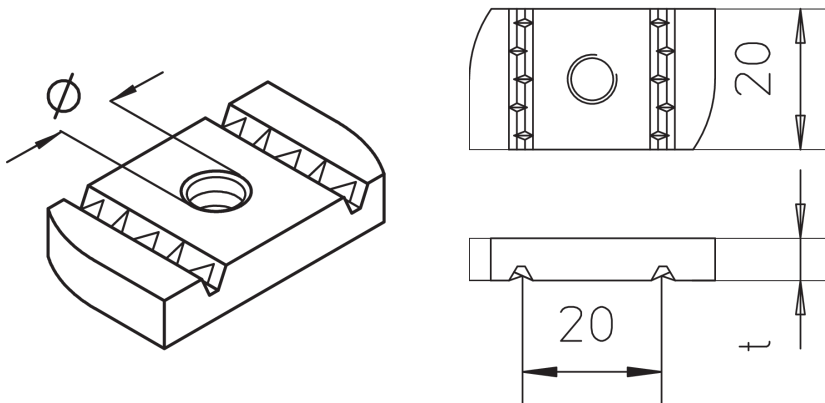


PRODUCT INFORMATION

Products	\varnothing	t	W
AM18 M12E4	12 mm	9,50 mm	0,035 kg

\varnothing : thread diameter
t: material thickness
W: Weight per storage unit

DETAIL AND APPLICATION IMAGES



OPTIONAL ACCESSORIES

A 7, A 8, A 9

