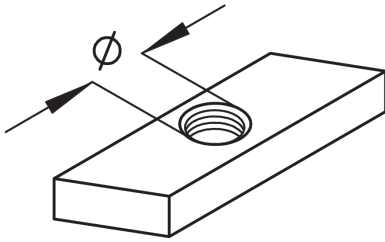


AM 16

Channel nut



AM 16 channel nuts are threaded plates used with profile rails B 7. The threaded hole is centred by turning the nut 90° after inserting or tipping in the nut. Channel nuts, also known as locking plates, are primarily used for spaced mounting in conjunction with long bolts or threaded rods. They are made of hot-dip galvanised steel with M6 or M8 threads and stainless steel with M6 threads.

steel, batch/hot-dip galvanized

Products	Ø	t	weight
AM16 M6F	6 mm	5,00 mm	0,016 kg
AM16 M8F	8 mm	5,00 mm	0,015 kg

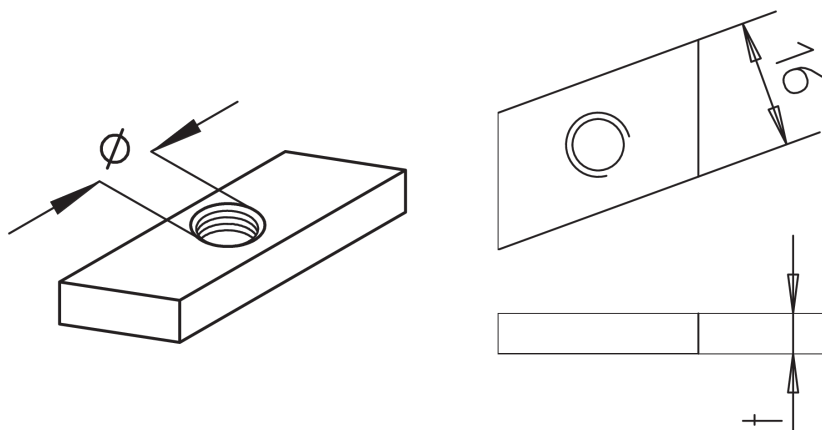
Stainless steel, according to ASTM 316 Ti / AISI 316 L, BS 320S17 / BS 316S11

Products	Ø	t	weight
AM16 M6E4	6 mm	5,00 mm	0,016 kg

Ø: thread diameter
t: material thickness

DETAIL AND APPLICATION IMAGES





OPTIONAL ACCESSORIES

B 7

