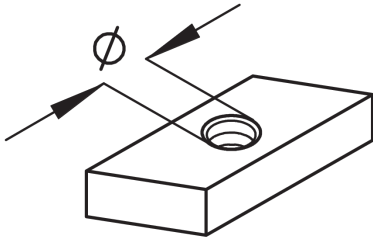


AM 12

Channel nut



AM 12 channel nuts are threaded plates used with profile rails B 3 and B 6. The threaded hole is centred by turning the nut 90° after inserting or tipping in the nut. Channel nuts, also known as locking plates, are primarily used for spaced mounting in conjunction with long bolts or threaded rods. They are made of hot-dip galvanised steel with M6 or M8 threads and stainless steel with M8 threads.

steel, batch/hot-dip galvanized

Products	∅	t	W
AM12 M6F	6 mm	5,00 mm	0,009 kg
AM12 M8F	8 mm	5,00 mm	0,008 kg

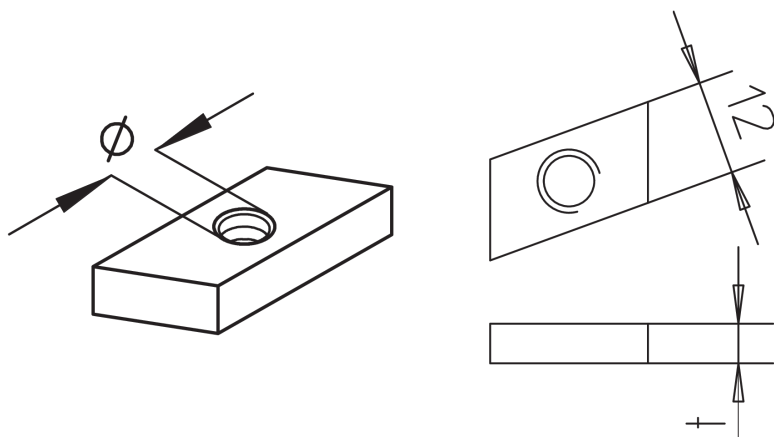
Stainless steel, according to ASTM 304 / BS 304 S 3

Products	∅	t	W
AM12 M8E	8 mm	5,00 mm	0,008 kg

∅: thread diameter
t: material thickness
W: Weight per storage unit

DETAIL AND APPLICATION IMAGES





OPTIONAL ACCESSORIES

B 3, B 6

