

AKL 41

Rail clamp

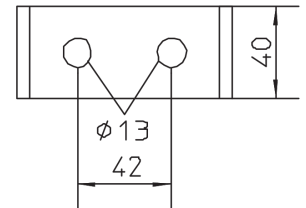
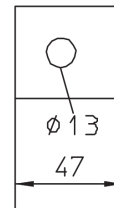
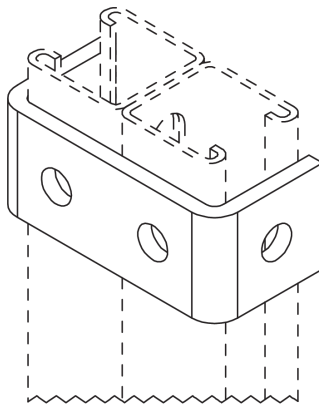
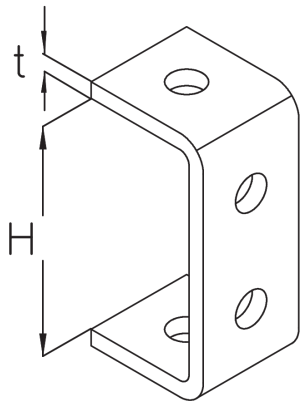
The channel clamp AKL 41 is attached to the channel and is used, among other things, for suspension using a threaded rod. It is made of hot-dip galvanized steel.

steel, batch/hot-dip galvanized

Products	H	B	L	t	W
AKL 41F	96 mm	40 mm	47 mm	6,00 mm	0,320 kg

H: height
B: width
L: length
t: material thickness
W: Weight per storage unit

DETAIL AND APPLICATION IMAGES



OPTIONAL ACCESSORIES

SES, AM 22, AMF 22, KHA 41, GB, SEM

