

## AKB

Anchor bolt, A 7/A 8/A 9

Anchor bolts AKB can be used with profile rails A 7, A 8 and A9 and are used to fasten companion structures. They are made of galvanised steel with lengths from 25 to 45 mm and threads M6, M8, M10 and M12.

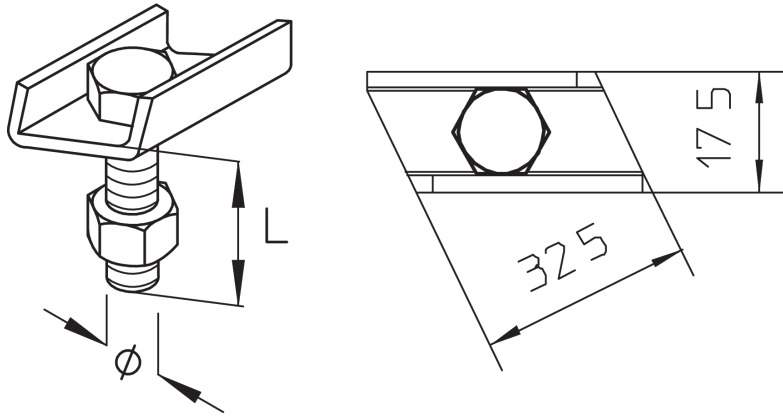
steel, galvanic zinc plated

Products	Ø	L	weight
AKB 6X25	6 mm	25 mm	0,026 kg
AKB 8X25	8 mm	25 mm	0,031 kg
AKB 8X35	8 mm	35 mm	0,034 kg
AKB 8X45	8 mm	45 mm	0,038 kg
AKB 10X35	10 mm	35 mm	0,044 kg
AKB 10X45	10 mm	45 mm	0,049 kg
AKB 12X35	12 mm	35 mm	0,052 kg
AKB 12X45	12 mm	45 mm	0,062 kg

Ø: thread diameter  
L: length

## DETAIL AND APPLICATION IMAGES





## OPTIONAL ACCESSORIES

A 7, A 8, A 9

