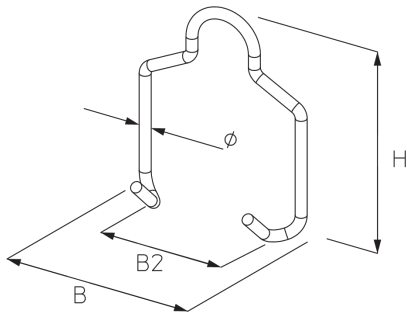


AHB

Suspension bracket

The suspension bracket AHB is used to suspend cable trays from chains and cables. It is designed for cable tray widths of 50 or 100 mm and for a maximum load of 0.70 kN.

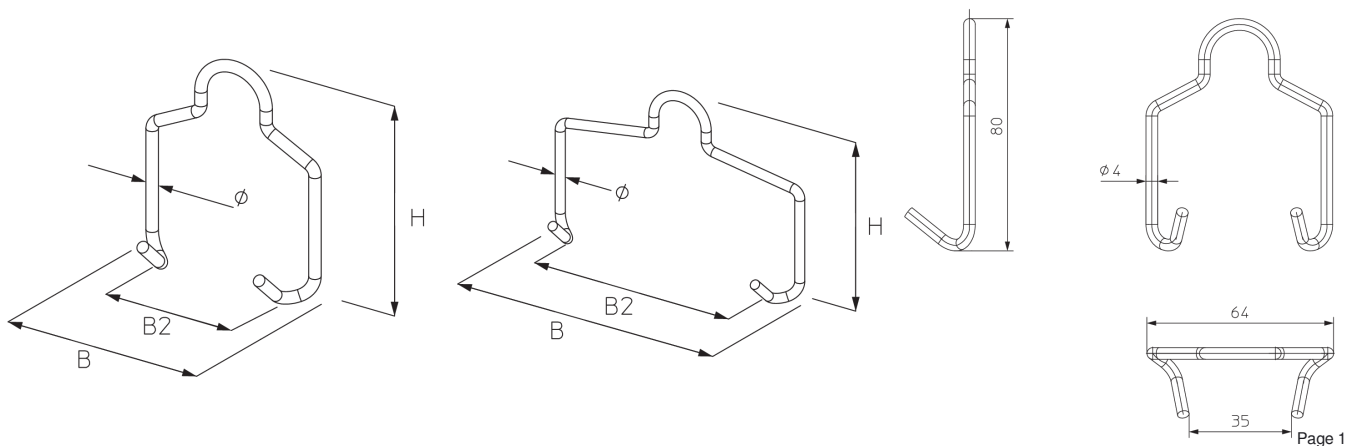


steel, continuously hot galvanized/Senzimir process

Products	H	B	B2	Ø	P _{max}	W
AHB 05S	80 mm	64 mm	35 mm	4 mm	0,70 kN	0,024 kg
AHB 10S	80 mm	116 mm	85 mm	4 mm	0,70 kN	0,028 kg

H: height
B: width
B2: width
Ø: wire diameter
P_{max}: maximum load
W: Weight per storage unit

DETAIL AND APPLICATION IMAGES



PRODUCT INFORMATION

