

## AC-IW

Cable clamp with additional insulating tray for fastening to C profile rails

The AC-IW cable clamp with a full-surface pressure trough made of galvanised steel and an additional insulating trough made of polystyrene can route cables with a maximum diameter of 70 mm. It is suitable for attachment to profile rails C+ and C60° with a slot width of 18/22 mm. On request, a GW counter trough can be fitted for improved cable support.

In conjunction with a grub screw that penetrates the coating, the cable clamp can be included in the equipotential bonding. The article is also available with lock nuts. This prevents the clamp from unintentionally coming loose. Grub screw and lock nuts must be specified separately when ordering.

The AC-IW cable clamp is made of galvanised steel.

steel, zinc plated

Products	D	H <sub>max</sub>	cables	M	W
12 AC-IW	8 - 12 mm	42,5 mm	1	2 Nm	0,026 kg
16 AC-IW	12 - 16 mm	47,5 mm	1	2 Nm	0,029 kg
20 AC-IW	16 - 20 mm	51,5 mm	1	2 Nm	0,033 kg
24 AC-IW	20 - 24 mm	55,7 mm	1	2 Nm	0,038 kg
28 AC-IW	24 - 28 mm	59,7 mm	1	2 Nm	0,043 kg
32 AC-IW	28 - 32 mm	65 mm	1	2 Nm	0,062 kg
36 AC-IW	32 - 36 mm	69 mm	1	2 Nm	0,068 kg
40 AC-IW	36 - 40 mm	73 mm	1	2 Nm	0,076 kg
44 AC-IW	40 - 44 mm	83 mm	1	4 Nm	0,097 kg
48 AC-IW	44 - 48 mm	87 mm	1	4 Nm	0,097 kg
52 AC-IW	48 - 52 mm	92,5 mm	1	4 Nm	0,108 kg
56 AC-IW	52 - 56 mm	96,5 mm	1	4 Nm	0,114 kg
60 AC-IW	56 - 60 mm	100,5 mm	1	4 Nm	0,151 kg
64 AC-IW	60 - 64 mm	104,5 mm	1	4 Nm	0,157 kg
70 AC-IW	64 - 70 mm	111,5 mm	1	4 Nm	0,169 kg

D: clamping range  
H<sub>max</sub>: maximum height

Page 1

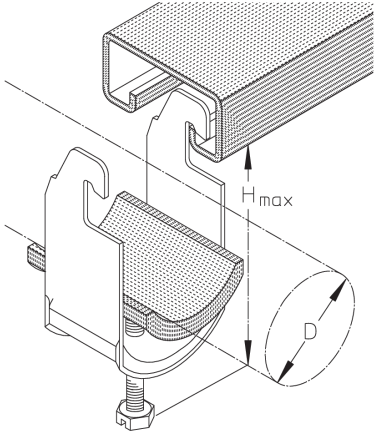


# PRODUCT INFORMATION

---

**cables:** max. number of cables  
**M:** torque  
**W:** Weight per storage unit

## DETAIL AND APPLICATION IMAGES



## OPTIONAL ACCESSORIES

GW 12-70, A 2, A 4, A 7, A 8, A 9, A 41, KHA 21, KHA 41

